

UNITE 200, the most versatile, professional-grade PTZ camera in the industry, includes USB, HDMI, and IP connections making it ideal for multiple applications such as PC-based web conferencing, UC applications, videoconferencing, distance learning, lecture capture, telepresence, surveillance, remote management, IT control, and more.



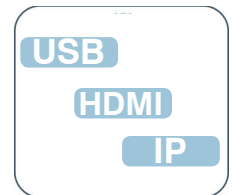
Enterprise-class video

- + Full HD video quality with 1080p@60fps
- + 12x optical zoom for close-up views and whiteboard details with complete clarity
- + 73° wide-angle view to capture all participants across the entire conference room
- + Super-High SNR and advanced 2D & 3D noise reduction



Multiple connections

- + Support for USB 3.0, USB 2.0, HDMI, and IP connections
- + Simultaneous video output to USB, HDMI, and IP streaming
- + Flexibility to control the camera's Pan, Tilt, and Zoom functions via RS-232 or USB (UVC) or IP-based web management



IP streaming – H.265

- + Supports H.264 and H.265 encoding, enabling 1080p@60fps video stream at ultra-low bandwidth
- + RTSP streaming via unicast & multicast
- + Line-in interface to stream audio
- + Compatible with ClearOne VIEW® Pro

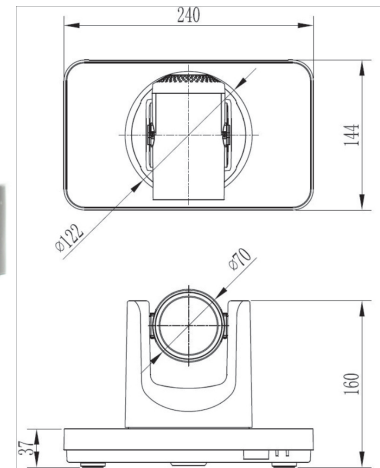


Compatibility with multiple applications

- + Compatible with many popular PC-based video applications in meeting rooms, including Cisco Jabber® and WebEx®, Citrix® GoToMeeting, ClearOne Spontania, Google Hangouts, Microsoft® Skype and Skype for Business and more
- + UNITE 200 is also compatible with ClearOne COLLABORATE® Pro



> COMPONENTS/CAMERA REAR



Functional Specifications

CAMERA

VIDEO SYSTEM	1080p/60, 1080p/50, 1080i/60, 1080i/50, 1080p/30, 1080p/25, 720p/60, 720p/50, 720p/30, 720p/25
SENSOR	1/2.7 INCH, CMOS, EFFECTIVE PIXEL: 2.07M
SCANNING MODE	PROGRESSIVE
LENS	12X, F3.5MM – 42.3MM, F1.8 – F2.8
MINIMAL ILLUMINATION	0.05 LUX @ (F1.8, AGC ON)
SHUTTER	1/30S – 1/10000S
WHITE BALANCE	AUTO, INDOOR, OUTDOOR, ONE PUSH, MANUAL
BACKLIGHT COMPENSATION	SUPPORTED
DIGITAL NOISE REDUCTION	2D & 3D DIGITAL NOISE REDUCTION
VIDEO S/N	≥55DB
HORIZONTAL ANGLE OF VIEW	72.5° – 6.9°
VERTICAL ANGLE OF VIEW	44.8° – 3.9°
HORIZONTAL ROTATION RANGE	±170°
VERTICAL ROTATION RANGE	-30° – +90°
PAN SPEED RANGE	1.7° – 100°/S
TILT SPEED RANGE	1.7° – 69.9°/S
H & V FLIP	SUPPORTED
IMAGE FREEZING	SUPPORTED
NUMBER OF PRESETS	255
FLEXIBLE INSTALLATION	STANDARD MOUNT, UPSIDE-DOWN MOUNT

USB FEATURES

OPERATING SYSTEMS	WINDOWS 7, WINDOWS 8, WINDOWS 8.1, WINDOWS 10, MAC OSX, LINUX
COLOR SYSTEM	YUV 4:2:2
VIDEO FORMATS	USB3.0: 1080p/30, 1080p/25, 720p/30, 720p/25
USB VIDEO COMMUNICATION	UVC 1.0
UVC PTZ	SUPPORTED

IP STREAMING FEATURES

VIDEO CODING STANDARD	H.265/H.264/MJPEG
VIDEO STREAMS	MAIN STREAM, SUB STREAM
MAIN STREAM RESOLUTION	1920 X 1080, 1280 X 720, 1024 X 576
SUB STREAM RESOLUTION	720 X 576, 720 X 480, 320 X 240
BIT RATE	128KBPS – 8192KBPS
BIT RATE TYPE	VARIABLE RATE, FIXED RATE
FRAME RATE	50HZ: 1 – 50 FPS, 60HZ: 1 – 60 FPS
AUDIO STREAM RATE	96K, 128K, 256K
SUPPORTED PROTOCOLS	TCP/IP, HTTP, RTSP, RTMP, ONVIF, DHCP, MULTICAST

INPUT/OUTPUT INTERFACE

HD OUTPUT	1 X HDMI: VERSION 1.3
NETWORK INTERFACE	1 X RJ45: 10M/100M ADAPTIVE ETHERNET PORT
AUDIO INPUTS	1-CH 3.5MM AUDIO INTERFACE, LINE IN
USB	1 X USB3.0: TYPE B FEMALE JACK 1 X USB2.0: TYPE A FEMALE JACK (RESERVED INTERFACE)
COMMUNICATION	1 X RS-232 IN: 8-PIN MIN DIN, MAX DISTANCE: 30M, PROTOCOLS: VISCA/PELCO-D/PELCO-P 1 X RS-232 OUT: 8-PIN MIN DIN, MAX DISTANCE: 30M, PROTOCOLS: VISCA NETWORK USE ONLY 1 X RS485: SHARE WITH RS232 OUT, MAX DISTANCE: 1200M, PROTOCOLS: VISCA/PELCO-D/PELCO-P

GENERIC SPECIFICATIONS

POWER JACK	JEITA TYPE (DC IN 12V)
INPUT VOLTAGE	DC 12V
POWER CONSUMPTION	12W (MAX)
OPERATING TEMPERATURE	-10°C – 40°C
STORAGE TEMPERATURE	-40°C – 60°C
DIMENSIONS	240MM X 144MM X 160MM
WEIGHT	1.65KG (3.6LB)
PART NUMBER	910-2100-003

ClearOne Contacts

North America
Tel: +801.975.7200
Toll Free: +800.945.7730
Sales: +800.707.6994
Fax: +801.303.5711

Europe & Oceania
Tel: +44.1454.616.977
global@clearone.com

Asia Pacific
Tel: +852.3590.4526
global@clearone.com

Latin America
Tel: +1.801.974.3621
global@clearone.com

Middle East
Tel: +852.3590.4526
global@clearone.com