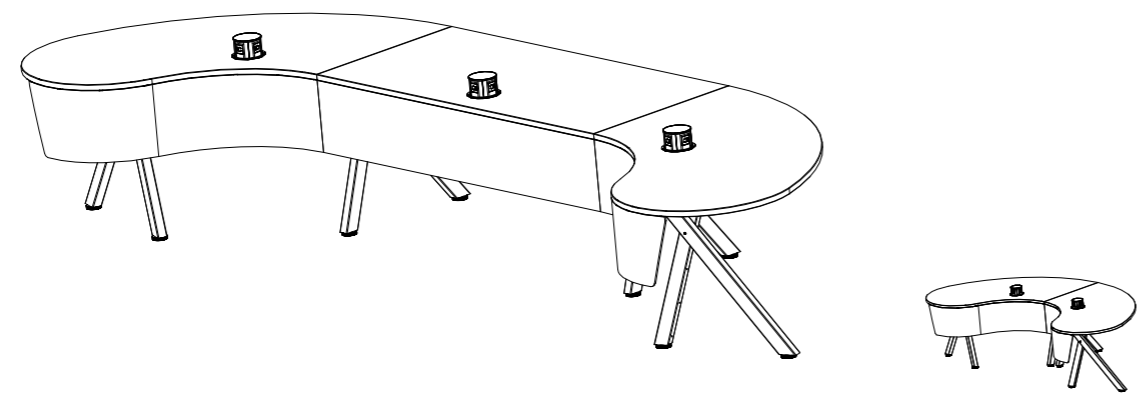


Assembly Instruction

Conference Table



BOX 1

A-Main Bracket
(2 pcs)

B-Front Bracket
(4 pcs)

C-Back Bracket
(4 pcs)

D1-Left Tilted Bracket
& D2-Right Tilted Bracket
(4 pcs each)

E-Link Bracket
(2 pcs, 6 person)

F-Link Bracket
(2 pcs, 4 person)

Other Accessories (Unit:mm)

a	4#	1 pc	
b	M6X10	17 pcs	
c	M6X55	5 pcs	
d	KM6X16	33 pcs	
e	ST5X16	118 pcs	
f	ST5X12	63 pcs	

G-Screen Bracket
(26 pcs)

H-Link Piece
(3 pcs)

I-Adjusting Pad
(9 pcs)

J1-Cable Trough
(2 pcs)

J2-Cable Trough
(2 pcs)

J3-Cable Trough
(2 pcs)

BOX 5-7

M-Power Boxes
(3 pcs)

BOX 2

K1-Left Table Top
(1 pc)

K3-Right Table Top
(1 pc)

BOX 3

K2-Middle Table Top
(1 pc)

BOX 4

L1-Left Screen
(1 pc)

L2-Middle Screen
(1 pc)

L3-Right Screen
(1 pc)

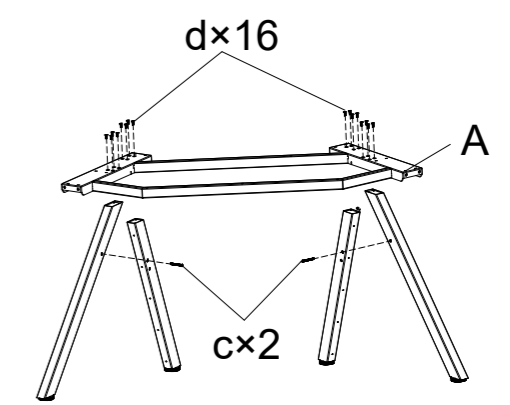
1. Installation of the main frame

	Number × sets
B	1×4
C	1×4
I	1×8

Assemble the adjusting pad

	Number × sets
D1	1×2
D2	1×2
b	4×2

Assemble the tilted bracket

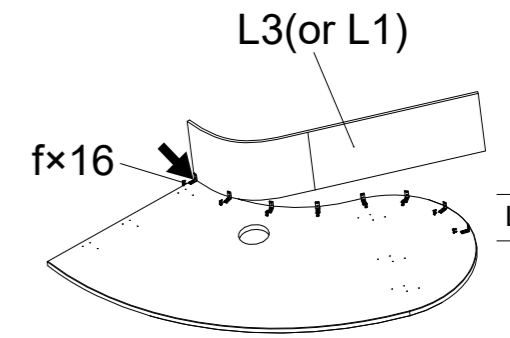
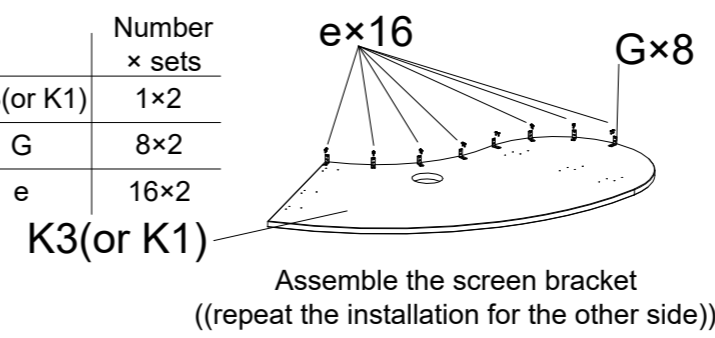


	Number × sets
A	1×2
c	2×2
d	16×2

Assemble the main bracket and the foot bracket

2. Installation of screens and description of table top holes

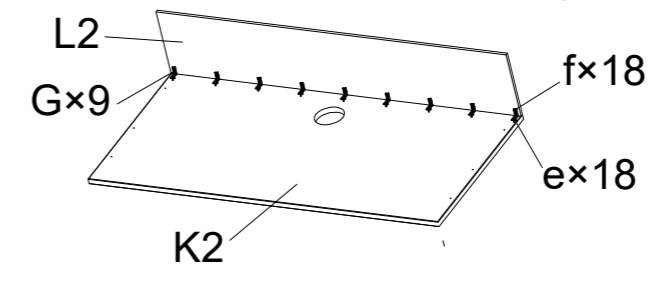
	Number × sets
K3(or K1)	1×2
G	8×2
e	16×2



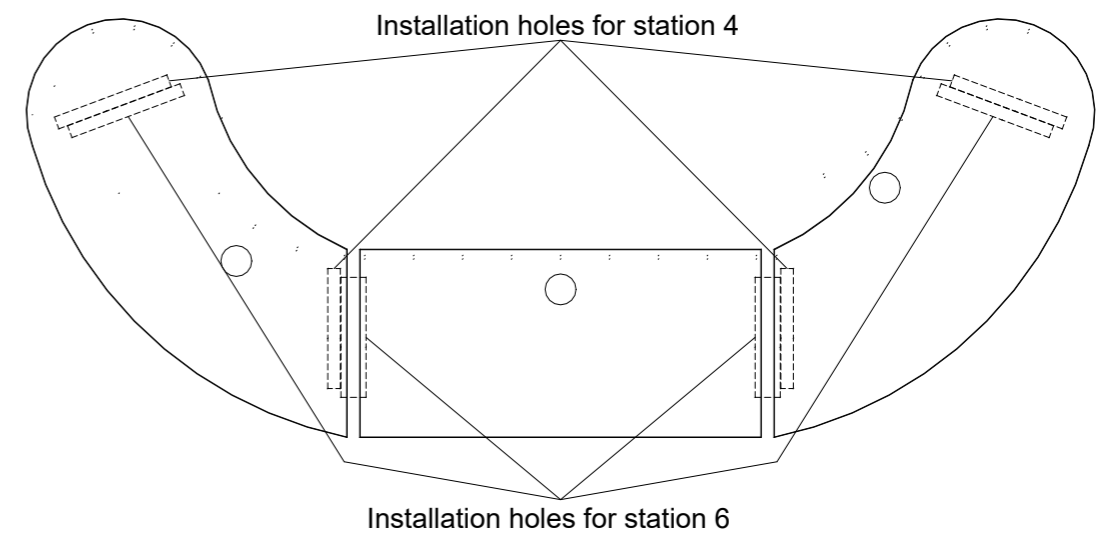
	Number × sets
L3(or L1)	1×2
f	16×2

The screen bracket needs to be installed from a right angle position
(repeat the installation for the other side)

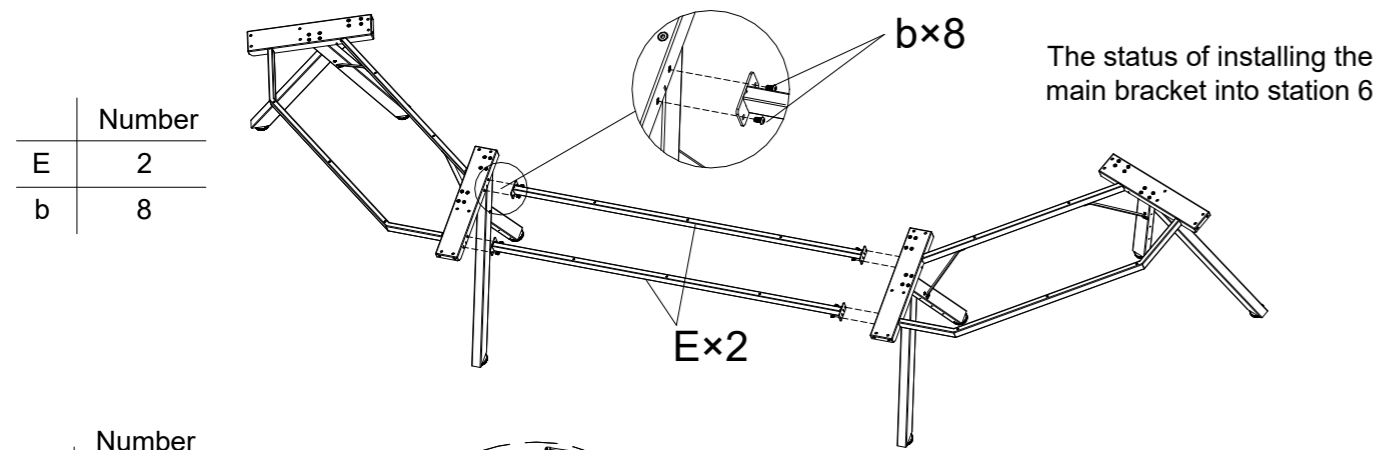
	Number × sets
K2	1×1
L2	1×1
G	9×1
e	18×1
f	18×1



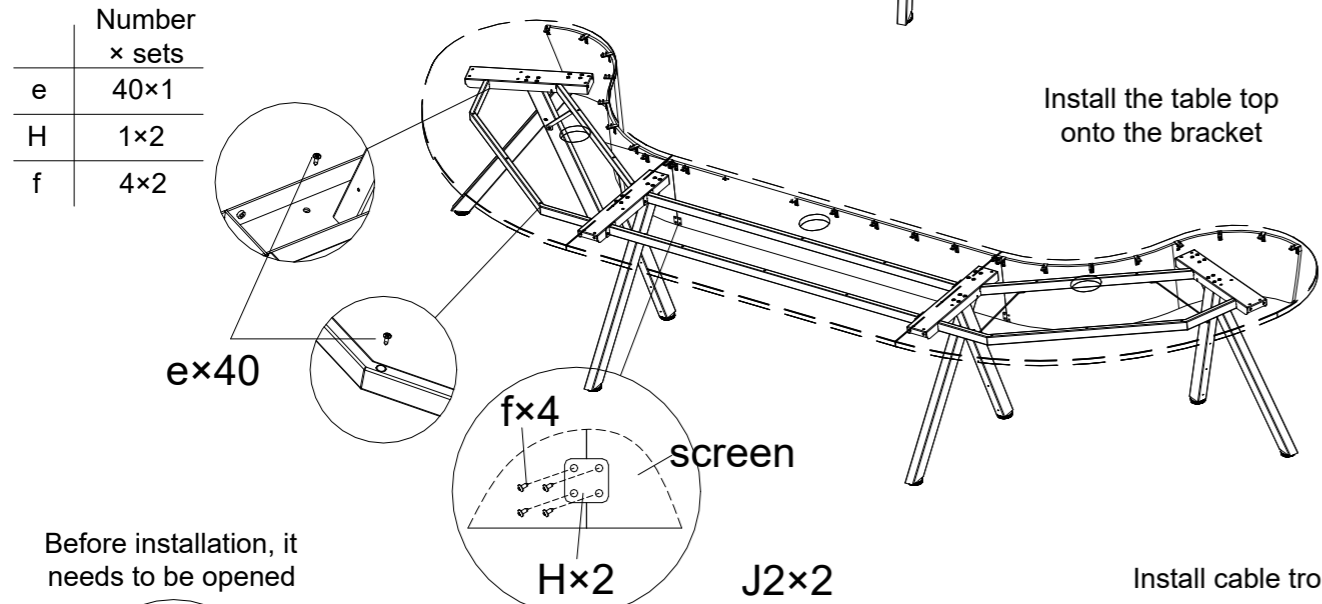
The installation method of the right and middle table top is the same



3-1. Installation for station 6

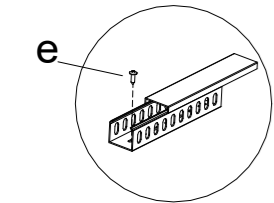


	Number
E	2
b	8

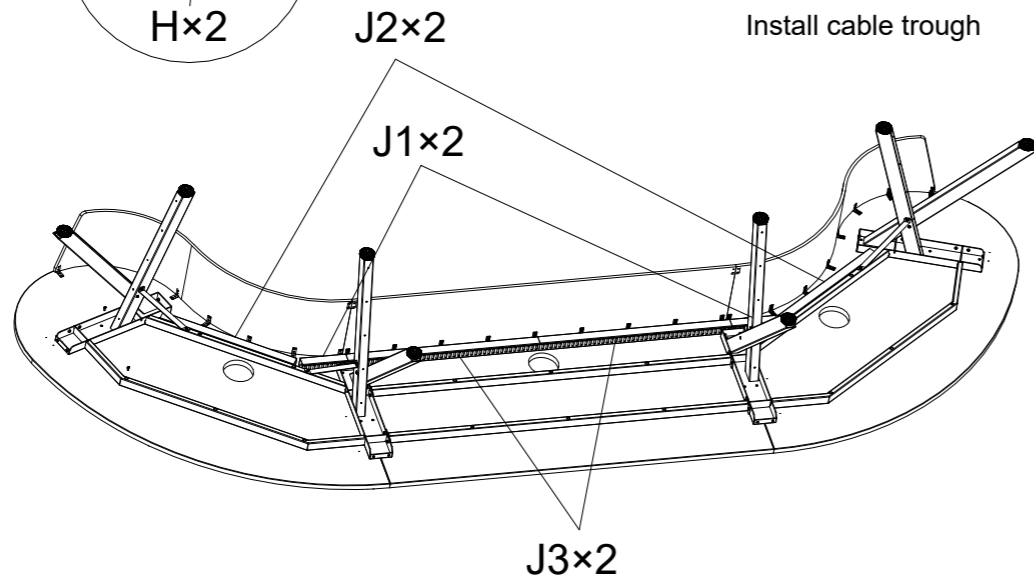


	Number × sets
e	40×1
H	1×2
f	4×2

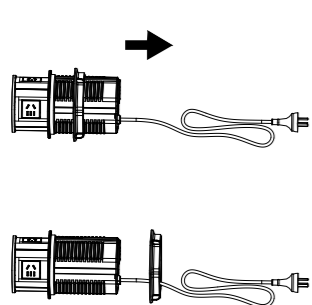
Before installation, it needs to be opened



	Number	Number of e
J1	2	J1 2
J2	2	J2 4
J3	2	J3 5
e	22	

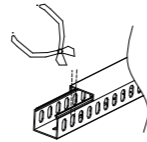


Remove the plastic nuts

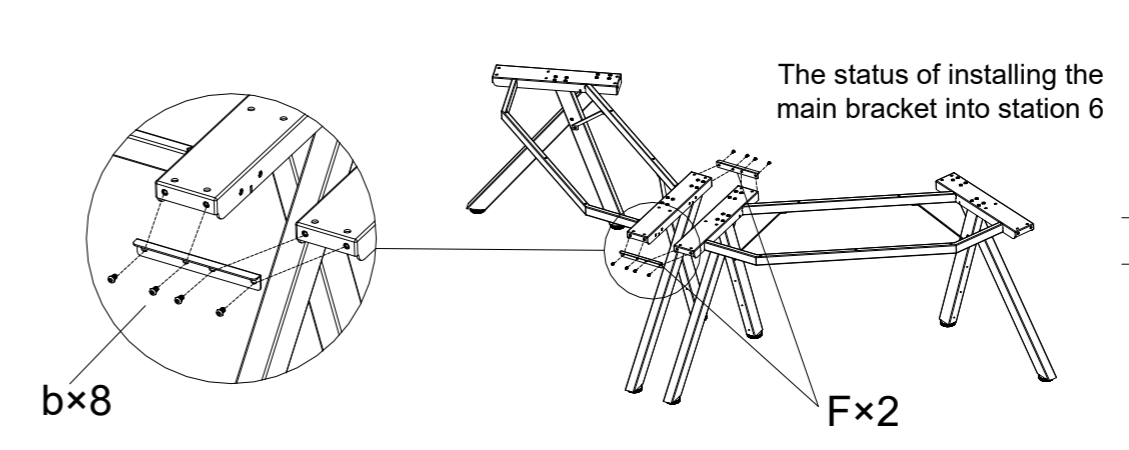


Select the upper power according to the power supply of the backplane.

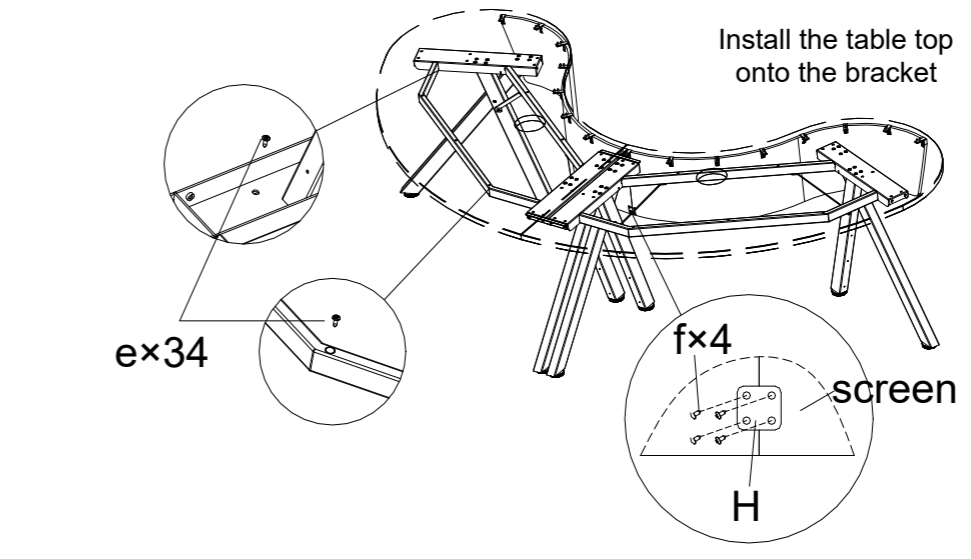
Cut the corresponding wire inlet according to the wire inlet position.



3-2. Installation for station 4

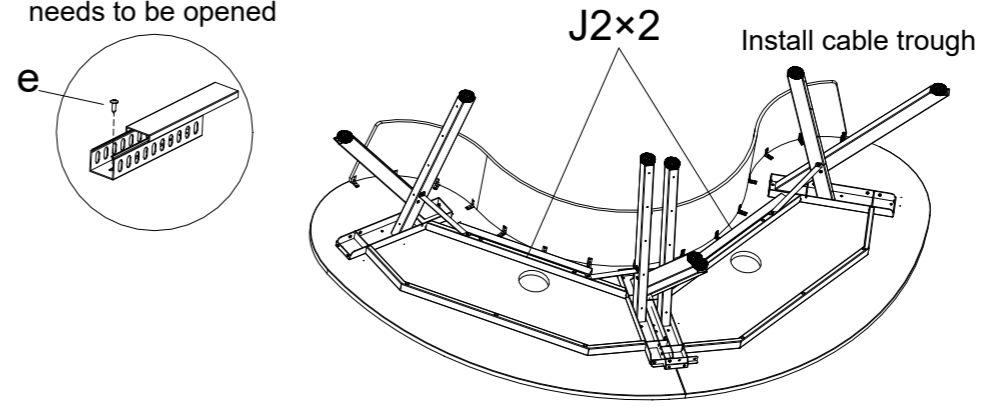
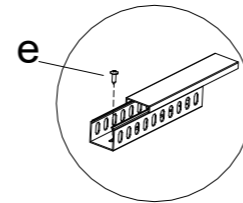


	Number
F	2
b	8



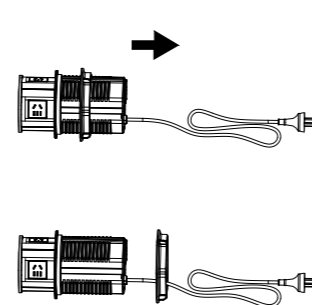
	Number
e	34
H	1
f	4

Before installation, it needs to be opened



	Number
J2	2
e	8

Remove the plastic nuts



Select the upper power according to the power supply of the backplane.

Cut the corresponding wire inlet according to the wire inlet position.

