

karter.

SIGNATURE TABLE



SPECIFICATIONS

SKU : KST

Exemplifying originality, the Signature Table is a tactile masterpiece including 'Synergy' dual oak and black legs, paired with a refined grey felt modesty panel. Comprising three distinct table top parts – two gracefully curved ends and a center segment – it allows flexible arrangements. Use all three sections for 6-8 people or just two for a cozy 4-6 seating. Additionally, each part features a pop-up unit for easy access to power, data, and charging, alongside smart cable management. A true embodiment of adaptability and craftsmanship, the Signature Table harmoniously merges aesthetics and functionality.

TABLE DIMENSIONS 6 PERSON	4157.4 (L) x 1376.6 (D) x 700 (H) mm
TABLE DIMENSIONS 4 PERSON	2557.4 x (L) x 1376.6 (D) x 700 (H) mm
TABLE WEIGHT	97.8 kg
PACKED DIMENSION	1200 (L) x 600 (W) x 1100 (H) mm
PACKED WEIGHT	150 Kg
FINISH, COLOUR & CONSTRUCTION	Black and Oak powder coat steel, white melamine MDF, polyester acoustic felt
FEATURES	Includes 3 x multi-function power pop-ups, acoustic felt modesty panel, cable management
POWER POP UPS	Above Desk Inputs 2 x AU plug (Looks like may take US also) 2 x LAN 1 x USB A (3.1A) 1 x USB C (15W and 20W PD) 1 x Wireless charge (15W) Below Desk Inputs 1 x AU plug PD = Power Delivery used by Apple for fast charge

[LEARN MORE](#)

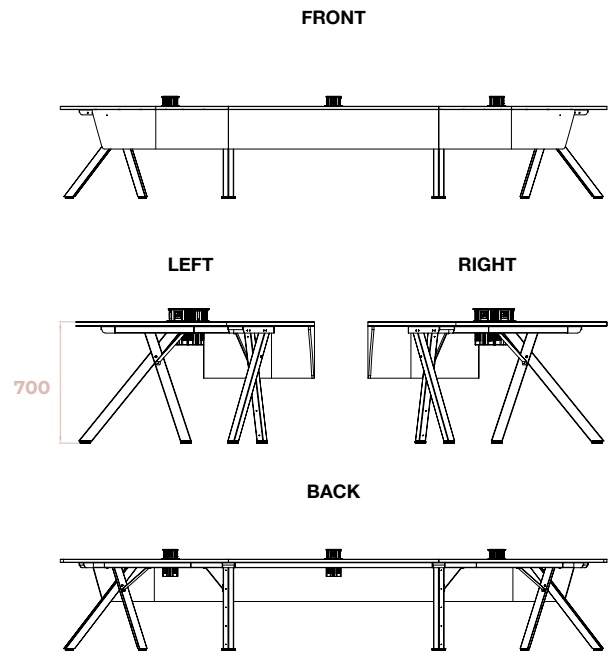
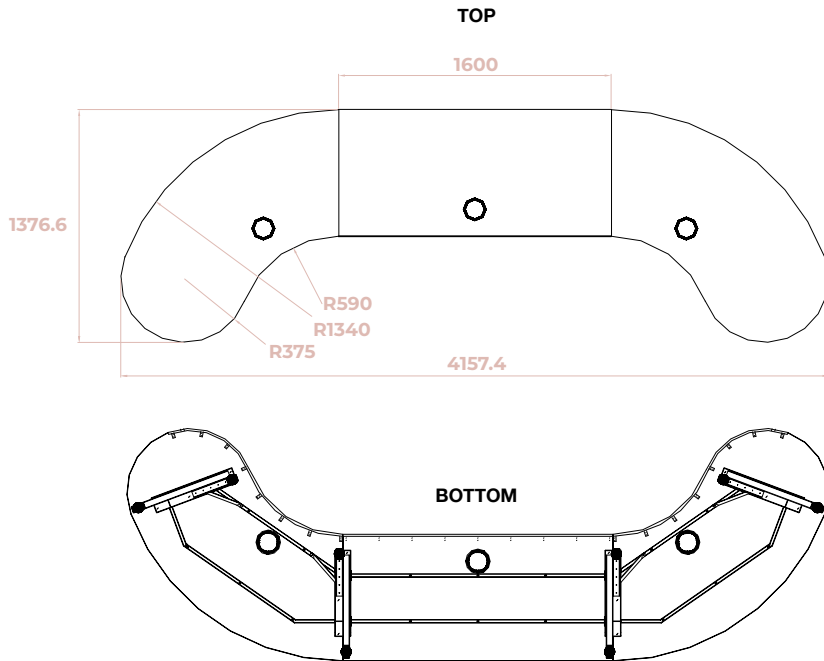
[REQUEST QUOTE OR DEMO](#)

karter.com.au

*All information and specs contained on this document are correct at time of publication

SKU : KST

6 PERSON:



4 PERSON:

