

UC-B70-A-Z-I

Crestron Flex Large Room Conference Solution with All-In-One Videobar 70 for Zoom Rooms® Software, International



- *Front-of-room video conferencing solution for Zoom Rooms® software*
- *Intelligent high-definition video, immersive high-quality audio, built-in digital signal processor, and Zoom rooms conferencing software, all in one Android™ OS-based Crestron Videobar 70 enclosure*
- *Native Zoom Rooms® Controller touch screen UI provides a consistent, simple user experience with one-touch meeting joins*
- *Complete kit contains a 10.1 in. tabletop touch screen, all-in-one Crestron Videobar 70, and PoE injector— just add a display and mount*
- *Easy to deploy and install – no custom design, programming, or software installation required*
- *Network management and provisioning and system alerts through the XiO Cloud® service*
- *Enterprise-grade security - connects and communicates securely over any enterprise or SMB network*
- *Supports up to three video displays (not included)*

The UC-B70-A-Z-I Crestron Flex tabletop conferencing system provides a medium to large room video conference solution for use with Zoom Rooms® software. It simplifies the communications and collaboration needs with fewer components and maximum efficiency. The UC-B70-A-Z-I features a 10.1 in. tabletop touch screen, Crestron Videobar 70 with intelligent high-definition video and audio, a PoE injector, and cables. The UC-B70-A-Z-I also supports up to three video displays¹ (not included).

The UC-B70-A-Z-I conferencing solution delivers a hassle-free setup and installation, better space utilization, a cleaner and visually appealing environment, easy collaboration and content sharing, and scalable deployment.

High-Definition Video Conferencing with Impressive Audio

The powerful and elegant all-in-one (AIO) Crestron Videobar 70 provides a convenient and compact conferencing solution for medium to large-sized meeting rooms. It comprises:

- A quad-camera setup that captures the full room in 4K, automatically tracks and frames the presenter or everyone in the room based on its configuration, and enhances the video content using AI.
- 10-watt dual speakers produce full, rich, and natural-sounding audio. Additional digital signal processing with AEC and noise reduction assures optimal sound quality for an immersive experience.
- Integrated 24-microphone array to capture voices throughout the room using adaptive beamforming technology. AI noise cancellation is also provided to ensure crystal-clear communication with exceptional audio fidelity and pickup.
- Android™ OS running on the QCS8250 chipset that ensures a smooth and reliable conferencing experience every time.

Native Zoom Rooms® Software Experience

The UC-B70-A-Z-I system features Zoom Rooms conferencing software that enables audio and video connectivity for easy collaboration and content sharing.

Android OS-Based Conferencing System

As an Android OS-based conferencing system, the UC-B70-A-Z-I provides a consistent, secure Zoom Rooms® experience. The system's tabletop controller and Videobar 70 both run on Android OS to ensure compliance with enterprise requirements.

Intuitive User Interface

With a large 10.1 in. (257 mm) capacitive touch screen display, the Crestron® tabletop touch screen ([TS-1070](#)) provides superior conferencing control in meeting rooms, huddle spaces, and executive offices. The touch screen also offers optional control of room lighting, shades, thermostats, and other equipment.²

Simplified Deployment

The AIO Crestron Videobar 70 comes with one ready-to-mount wall bracket allowing the video bar to install cleanly beneath the display – connect the displays and touch screen and mount.

Enterprise-Grade Security

Crestron Flex is an enterprise-grade solution that is ideally equipped for mass deployment throughout any sized corporate, university, medical, military, or government facility.

UC-B70-A-Z-I

Crestron Flex Large Room Conference Solution with All-In-One Videobar 70 for Zoom Rooms® Software, International

Easy Provisioning and Device Management

The XiO Cloud service is an IoT cloud-based provisioning service (available separately) that enables installers and IT managers to easily deploy and manage thousands of devices. The XiO Cloud service provides system alerts, network management and provisioning, and the pairing of a control device to Crestron Videobar 70. System updates are controlled by Crestron Auto update, XiO Cloud service, and Zoom ZDM.

Visit www.crestron.com/xiocloud for additional information.

Specifications

Included Components

TS-1070-B-S	10.1 in. (257 mm) tabletop touch screen, black
UC-SB2-CAM-A-Z-I	Crestron Videobar 70
CBL-CAT5E-7	Ethernet LAN cable for UC Engine, RJ-45-to-RJ-45, black, 7 ft (2.1 m)
CBL-8K-HD-6	(2) HDMI® 2.1 Cable, 6 ft (1.8 m)
CBL-8K-HD-22	HDMI 2.1 Cable, 22 ft (6.7 m)
DM-CBL-ULTRA-PC-20	Ethernet LAN cable, CAT6a, RJ-45-to-RJ-45, blue, 20 ft (6.1 m)
PWE-4803RU	PoE Injector

Tabletop Touch Screen

Touch Screen	10.1 in. (257 mm) diagonal capacitive multi-touch TFT active matrix color LCD, 1920 x 1200 pixels
Ethernet	100 Mbps, auto switching, auto negotiating, auto discovery, full/half duplex, TCP/IP, UDP/IP, CIP, DHCP, SSL, TLS, SSH, SFTP (SSH File Transfer Protocol), IEEE 802.1X, SNMP, IPv4 or IPv6, Active Directory® service authentication, HTTPS web browser setup, XiO Cloud® client, IEEE 802.3at compliant
Power over Ethernet	IEEE 802.3at Type 2 compliant PoE+ PD (Powered Device); Normally requests 15 W from an 802.3at Type 2 PSE with LLDP advanced power management; With room scheduling and USB enabled, requests 18 W from an 802.3at Type 2 PSE with LLDP; Requests 30 W (PoE+ Class 4) from an 802.3at Type 2 PSE without LLDP; Requests 15.4 W (PoE Class 0) from an 802.3af (or 802.3at Type 1) PSE

Construction	Plastic, smooth black finish, edge-to-edge glass with black surround
Dimensions	Height: 5.29 in. (134 mm) Width: 9.63 in. (245 mm) Depth: 4.67 in. (119 mm)
Weight	2.44 lb (1105 g)

Crestron Videobar 70

Speakers	(2) Dual 10-watt speakers, stereo;
Microphone	24 MIC linear array

NOTE: Microphone pickup range may vary in rooms with highly reflective infrastructure (e.g., glass walls, metal furniture, open ceilings, etc.) or above average ambient noise.

Audio DSP	Acoustic echo cancellation, dereverberation, automatic gain control, dynamic noise suppression, adaptive beamforming, speaker volume control, speaker EQ and limiting (fixed);
Quad Camera Configuration	(1) Main camera; (1) Left and (1) right sub camera; (1) Center sub camera with 14° overlap
Main Camera Optics	Main camera 20 Megapixels 1 in. sensor
Camera Field of View	Main Camera: 84.2° horizontal, 53.5° vertical; Left and right sub camera: 41° horizontal, 21° vertical; Center sub camera: 41° horizontal, 21° vertical
Camera Resolution	Main Camera: 5472 x 3072; Left and right sub camera: 2976 x 1944; Center sub camera: 3648 x 1944
Autozoom	8.5x digital zoom
Camera Shutter	Mechanical, electronically controlled
Operating System	Android OS running on the QCS8250 chipset
Memory	LPDDR5 12GB; UFS 128GB
Connectivity	100/1000 Mbps Ethernet connectivity
UC Client	Zoom Rooms software
Management Client	XiO Cloud Service

UC-B70-A-Z-I

Crestron Flex Large Room Conference Solution with All-In-One Videobar 70 for Zoom Rooms® Software, International

Content Ingest	HDMI input on Crestron Videobar 70 or direct sharing
Display Output	Up to three displays support
Display Output Resolution	(2) 4K and (1) 1080p
Video Input Signal Types	HDMI
Video Output Signal Types	HDMI
Video Content Protection	HDCP 1.4 and HDCP 2.2
Audio Input Signal Types	HDMI: Two-channel LPCM
Connectors	HDMI port: (2) HDMI IN (Input 1 reserved for future use), (3) HDMI OUT; 3.5 mm Line in (reserved for future use) / Line out: (1) AUDIO IN, (1) AUDIO OUT; LAN: (2) 8-pin RJ-45 connector; USB A: (2) USB 3.0 Type A connector; USB C: (2) USB 3.1 Type-C connector (reserved for future use)
Input Power	19VDC via external 100-240VAC, 50/60 Hz power pack (included)
Temperature	32° to 104°F (0° to 40°C)
Enclosure	Plastic, smooth black finish; Speaker and camera housing, rear air vents, integrated mounting bracket
LED Indicators	Green indicates call is in progress; Red indicates call is muted
Mounting	Wall mount using integrated mounting bracket
Dimensions	Height: 4.33 in. (110 mm); 6.38 in. (162 mm) with bracket; Length: 38.58 in. (980 mm) Depth: 3.77 in. (96 mm); 4 in. (101 mm) with bracket
Weight	13.2 lb (6 kg)

Notes:

1. Display must support "Wake on Sync" and "Sleep on No Sync" functionality. Consult the display manufacturer's specifications or internal settings of the specific display.
2. Room control capability (lighting, shades, thermostats, etc.) requires additional equipment and commissioning to be provided by a Crestron authorized integrator and/or programmer. Additional costs may apply.

This product may be purchased from select authorized Crestron dealers and distributors. To find a dealer or distributor, please contact the Crestron sales representative for your area. A list of sales representatives is available online at www.crestron.com/How-To-Buy/Find-a-Representative or contact us for additional information by visiting www.crestron.com/contact/our-locations for your local contact.

The original language version of this document is U.S. English. All other languages are a translation of the original document.

The product warranty can be found at www.crestron.com/warranty.

The specific patents that cover Crestron products are listed online at www.crestron.com/legal/patents.

Certain Crestron products contain open source software. For specific information, please visit www.crestron.com/opensource.

Crestron, the Crestron logo, and XiO Cloud are either trademarks or registered trademarks of Crestron Electronics, Inc. in the United States and/or other countries. Android is either a trademark or registered trademark of Google Inc. in the United States and/or other countries. HDMI is either a trademark or registered trademark of HDMI Licensing LLC in the United States and/or other countries. Zoom Rooms is either a trademark or registered trademark of Zoom Video Communications, Inc. in the United States and/or other countries. Other trademarks, registered trademarks, and trade names may be used in this document to refer to either the entities claiming the marks and names or their products. Crestron disclaims any proprietary interest in the marks and names of others. Crestron is not responsible for errors in typography or photography.

Specifications are subject to change without notice.

©2023 Crestron Electronics, Inc.

Rev 05/22/23

Model

UC-B70-A-Z-I

Crestron Flex Large Room Conference Solution with All-In-One Videobar 70 for Zoom Rooms® Software, International

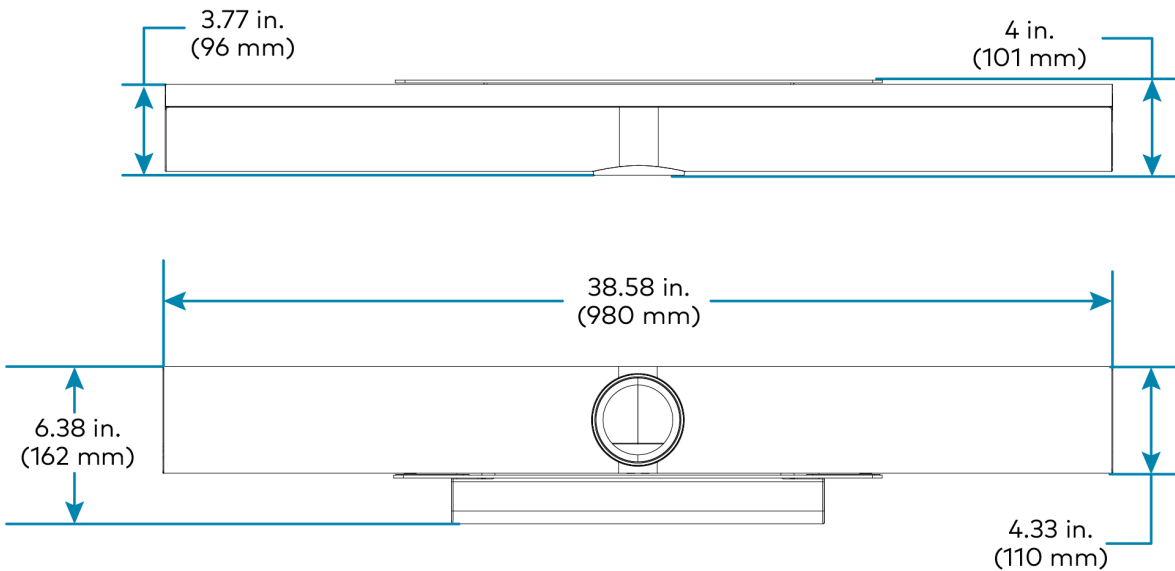
Available Accessories

For a list of available accessories, visit the [UC-B70-A-Z-I](#) product page.

UC-B70-A-Z-I

Crestron Flex Large Room Conference Solution with All-In-One Videobar 70 for Zoom Rooms® Software, International

UC-SB2-CAM-A-Z-I



UC-B70-A-Z-I

Crestron Flex Large Room Conference Solution with All-In-One Videobar 70 for Zoom Rooms® Software, International

Touch Screen (TS-1070-B-S)

