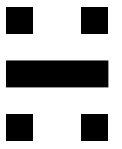


Huddly

L1



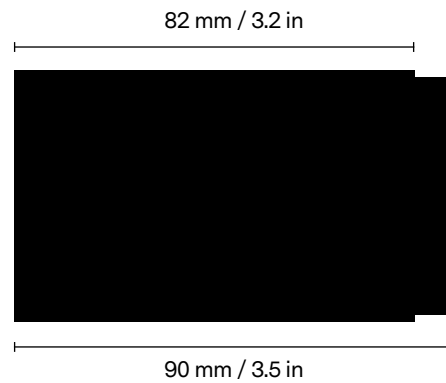
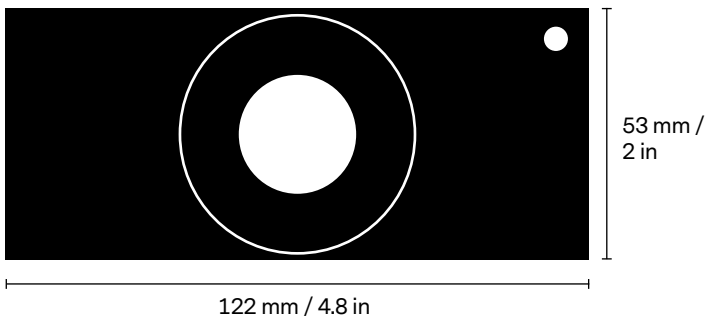
**For large and medium
rooms.**



Huddly L1

Product Information

Weight: 0.6 kg / 1.3 lbs



Specifications

Image

- 6K image sensor
- 20.30 Megapixels 1" CMOS Sensor
- 1080p Full HD @ 30 fps
- 720p HD @ 30fps
- Up to 5x digital zoom
- 16:9 aspect ratio output
- 180° image auto-flip

Optics

- Wide-angle glass optics
- Horizontal field of view 92°
- Vertical field of view 65°
- Diagonal field of view 103°
- f/2.9 aperture

System & Hardware Requirements

- Windows 10
- Huddly USB to PoE Adapter (included)

Connectivity

- Connector: RJ45
- Cable: Cat 5e/6/7
- USB 3.0 port (via USB to PoE Adapter)

Hardware

- High-performance VPU with neural compute engine
- Aluminum body
- Camera tripod mount

Color

Matte Black

Wall & Shelf Mount (Included)

- Made for placement on wall or shelf
- Weight of Mount: 120 g/ 0.2 lbs

Packaging Dimensions

L: 274 mm x W: 184 mm x H: 93 mm

Huddly L1

Product Information

Features

Genius Framing

The camera detects the people in its entire field of view and intelligently frames them for the best experience.

Digital Pan/Tilt/Zoom

The camera has no moving parts, allowing Pan, Tilt, and Zoom functions to be adjusted smoothly, silently and instantly.

Software-Upgradable

The camera gets even smarter over time with regular software enhancements and new intelligent features.

Power over Ethernet

The camera receives power and transmits data through Power over Ethernet. Installation is reliable and flexible in regard to cable length.

Speaker Framing

Using the camera's built-in AI director, Speaker Framing alternates between speaker shots, listening shots, and overview shots.

Image Enhancement

The camera automatically corrects white balance, color, and optical aberration. It reduces image noise through bias compensating spatio-temporal filtering with wide-area chroma filtering and adapts to poor lighting conditions with Dynamic Light Optimization.

Real-Time Dewarping

The camera's wide-angle image is dewarped and perspective corrected in real time, rendering a natural, true-to-life view.

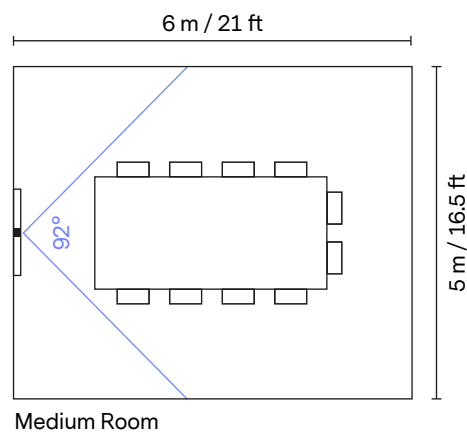
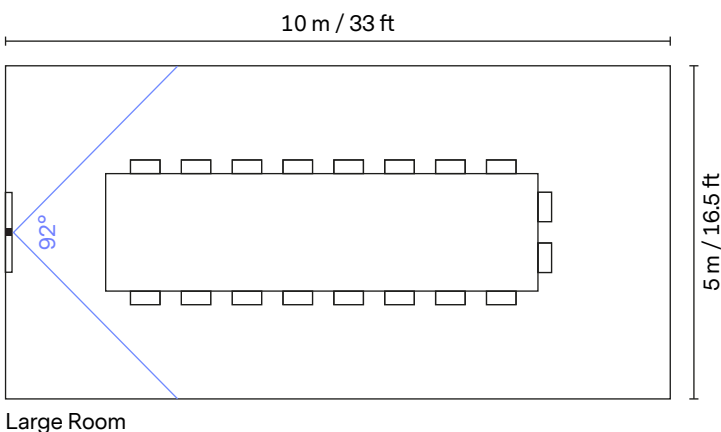
Portrait Lighting

The camera uses AI to understand the lighting conditions in the image. It automatically adjusts exposure to ensure that faces are well-lit and facial expressions are clearly visible.

InSights Analytics API

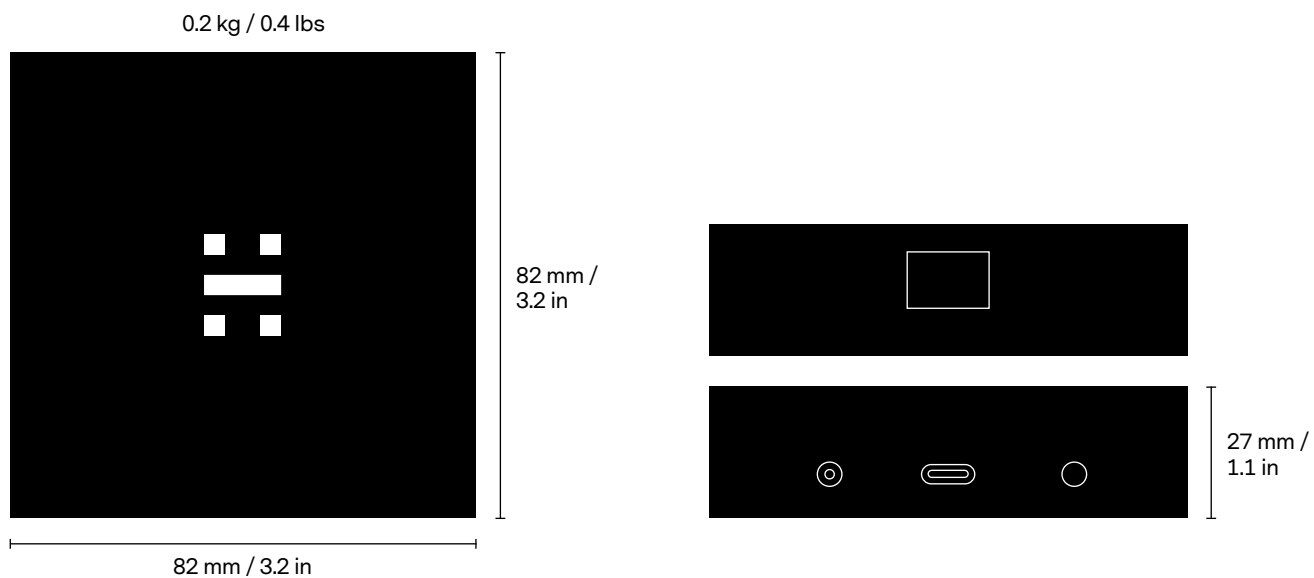
The camera can detect and count the people within its entire field of view, with high-quality analytics data accessible via the Huddly InSights API.

Room Examples



Huddly

USB to PoE Adapter



The USB to PoE Adapter lets you connect Huddly L1 to your meeting room computer.

Connectivity

- USB C port to host computer
- SuperSpeed USB 3
- RJ45 gigabit Ethernet port to camera
- DC power connector

Power Requirements

Requires external 5V 3A power, supplied either via USB C or the included external AC/DC 5V 4A power adapter.

Hardware Specifications

- Aluminum body
- Built-in magnet for easy mounting to metal
- Wall mount plate (included)

Color

Matte Black

System & Hardware Requirements

Windows 10

Huddly USB to PoE Adapter

Connectivity

You can easily install Huddly L1 in any room with a single Ethernet cable of up to 100 meters. The USB to PoE Adapter comes with both USB C and USB A cables for connecting to meeting room devices.

Depending on your device, the USB to PoE Adapter may also require a power adapter (included).

