

karter.

COMBI



SPECIFICATIONS

SKU : KMOBCO

The Karter Combi, a classroom-focused marvel, is a 2-in-1 motorised stand offering ultimate flexibility. It can be easily configured with wheels for mobility or securely wall-mounted, adapting to your needs effortlessly. Adjusting to your preferred height, whether for standing or sitting work or teaching, is a breeze with its generous 500mm stroke, accommodating students of all ages and teachers of various heights. With durable wheels for smooth mobility over doorways and playgrounds, tidy cable management, a mini PC mounting option, and a wired remote control for easy height adjustments, the Combi delivers unparalleled accessibility. It also features a stylish felt pocket for storing essential items, making it suitable for versatile applications beyond the classroom, accommodating screens up to 98 inches with quick and hassle-free assembly.

STAND DIMENSIONS	Mobile: (H) 1335~1835 x (W) 1040 x (D) 780 mm Wall Mount: (H) 1095.5 ~ 1595.5 x (W) 960 x (D) 186 mm
STAND WEIGHT	37.5kg
PACKED DIMENSIONS	1133 x 930 x 139 mm
PACKED WEIGHT	41.5 kg
FITS SCREEN SIZE	Up to 98"
VESA	800 x 600
SCREEN LOAD CAPACITY	100kg
MOVEMENT	500mm stroke
MOBILITY	Heavy-duty lockable casters
FINISH AND CONSTRUCTION	Black powdercoat steel, acoustic felt
FEATURES	Super-silent dual-actuators, adjustable PC bracket, adjustable wall-tether brackets, wired control panel, built-in USB control via stand app (available with compatible touchscreens), cable management, acoustic felt storage pocket. 2-in-1 assembly options - all parts included for either wall or mobile assembly.

[LEARN MORE](#)

[REQUEST QUOTE OR DEMO](#)

karter.com.au

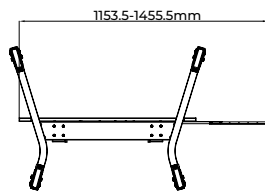
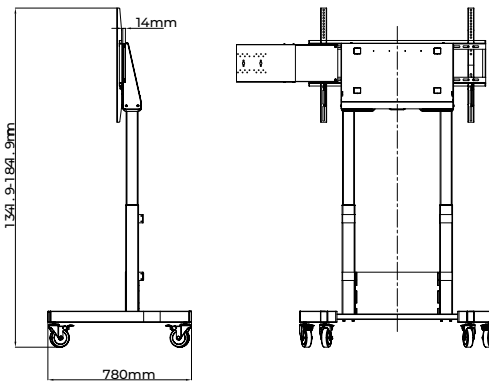
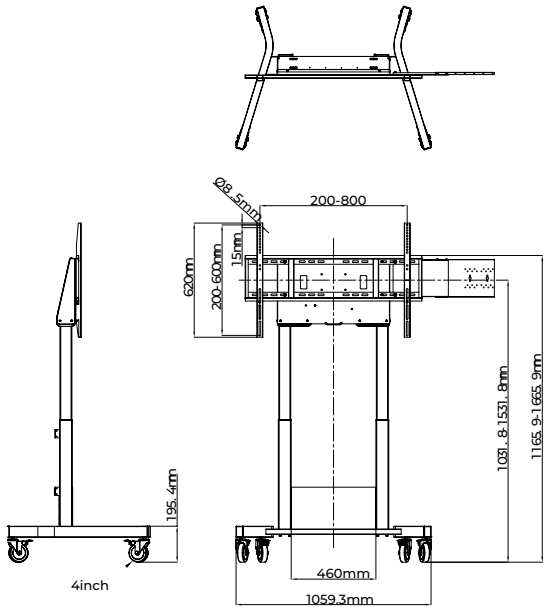
*All information and specs contained on this document are correct at time of publication

karter.

COMBI

SKU : KMOBCO

MOBILE:



WALL MOUNT:

