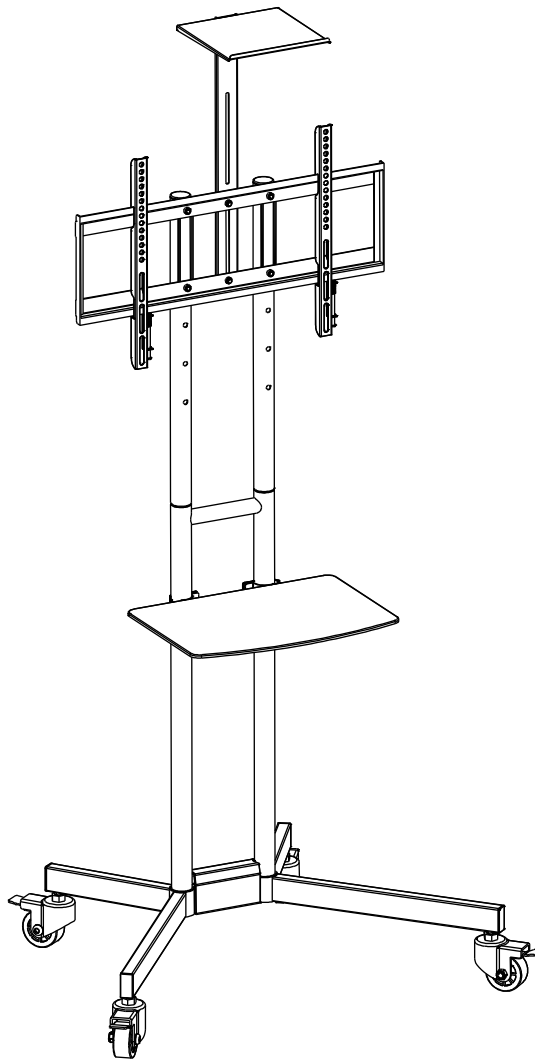
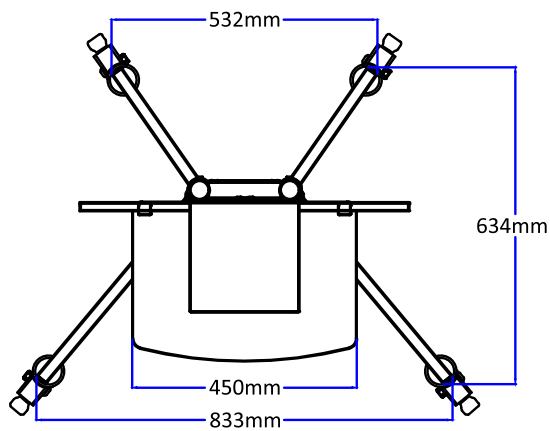
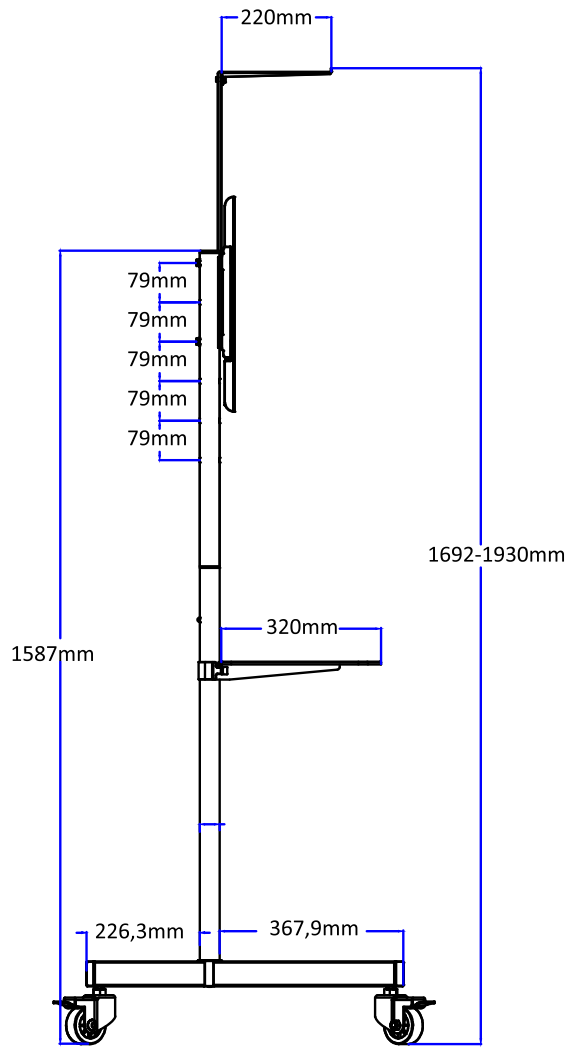
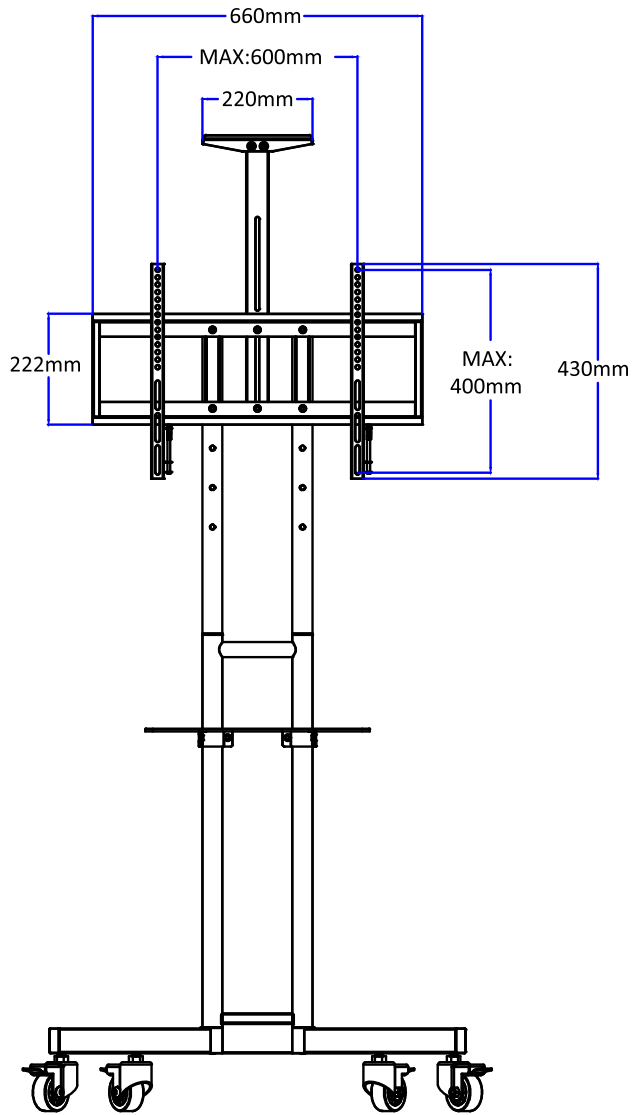


# commBOX Dash Installation Manual



SKU: CBMOBD  
Suitable for 32" to 65" Screens  
Load capacity 45.5Kg

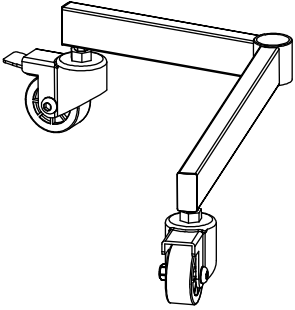



---

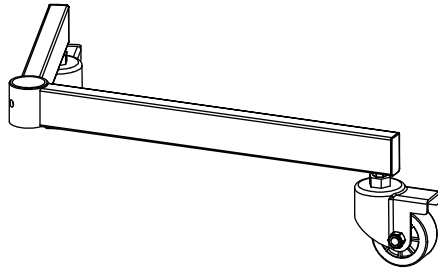
**⚠ CAUTION :**

● Please read this instruction carefully before assembly.

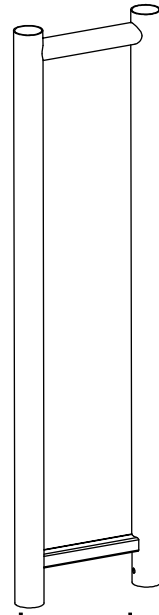
# PARTS IDENTIFICATION



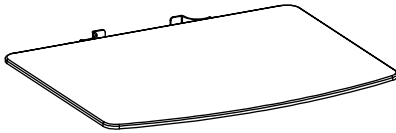
**A- cart base (L)**  
1pc



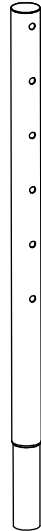
**B- cart base (R)**  
1pc



**C- base pole**  
1pc



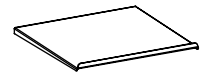
**D- DVD shelf**  
1pc



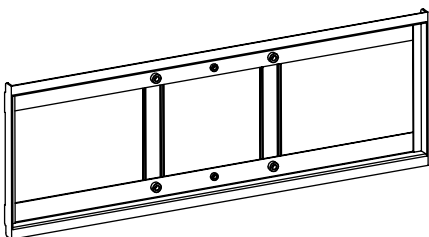
**E- poles**  
2pcs



**F- support bracket**  
1pc



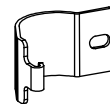
**G-streaming box tray**  
1pc



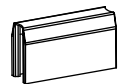
**H- mounting frame**  
1pc



**J- mounting bracket**  
2pcs








**K- curved metal clip** 2pcs



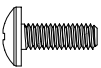
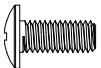
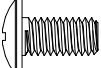


**L- plastic cover**  
1pc


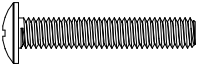


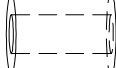
- ⚠ WARNING:** For use with televisions weighing 100 lbs or less. Use with heavier televisions may result in instability causing tip over resulting in death or serious injury.
- ⚠ WARNING:** For use with streaming box or Camera weighing 2 lbs or less. Use with heavier equipment may result in instability causing tip over resulting in death or serious injury.
- ⚠ WARNING:** For use with AV equipment on the shelf weighing 11 lbs or less. Use with heavier equipment may result in instability causing tip over resulting in death or serious injury.
- ⚠ WARNING:** Death or serious injury may occur when children climb on audio and/or video equipment furniture. A remote control or toys placed on the furnishing may encourage a child to climb on the furnishing and as a result the furnishing may tip over on to the child.
- ⚠ WARNING:** Relocating audio and/or video equipment to furniture not specifically designed to support audio and/or video equipment may result in death or serious injury due to the furnishing collapsing or over turning onto a child.



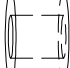

## Hardware Identification

|   |           |       |      |   |
|---|-----------|-------|------|---|
| ① | Hex Bolt  | M8*14 | 6pcs |    |
| ② | Hex Bolt  | M8*20 | 2pcs |   |
| ③ | Hex Bolt  | M8*55 | 4pcs |  |
| ④ | Hex Bolt  | M8*25 | 2pcs |  |
| ⑤ | Allen Key | 5mm   | 1pc  |  |

## Hardware for TV assembly

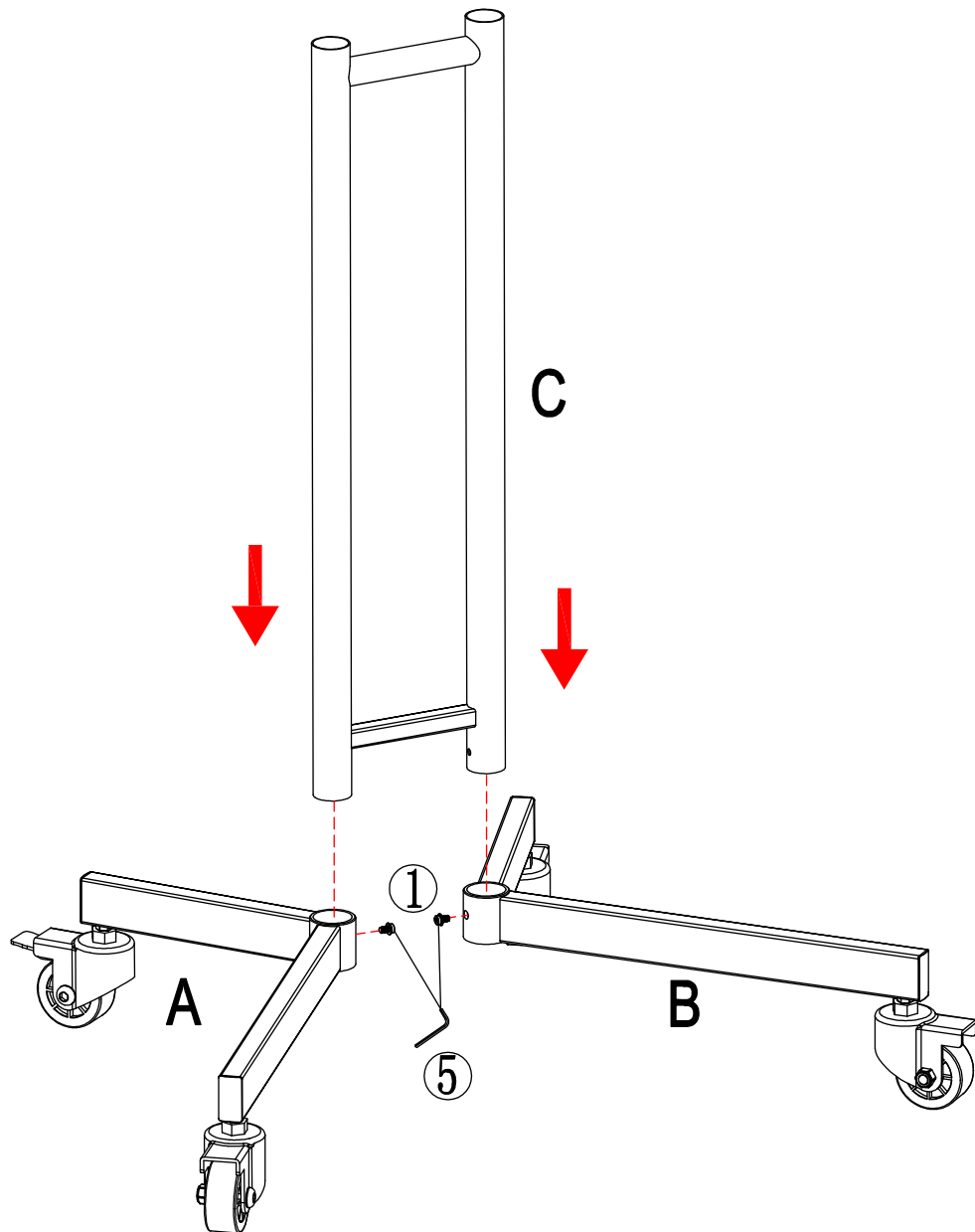
|   |   |   |   |   |
|---|---|---|---|---|
|  |  |  |  |  |
| a-M4X12 bolt<br>4pcs  | b-M5X12 bolt<br>4pcs  | c-M6X12 bolt<br>4pcs  | d-M8X25 bolt<br>4pcs  | e-M4X30 bolt<br>4pcs  |

|   |   |   |  |   |
|---|---|---|--|---|
|  |  |  |  |  |
| f-M5X30 bolt<br>4pcs  | g-M6X35 bolt<br>4pcs  | h-M8X50 bolt<br>4pcs  | i-M5/M6<br>spacer 4pcs   | j-M8 spacer<br>4pcs   |

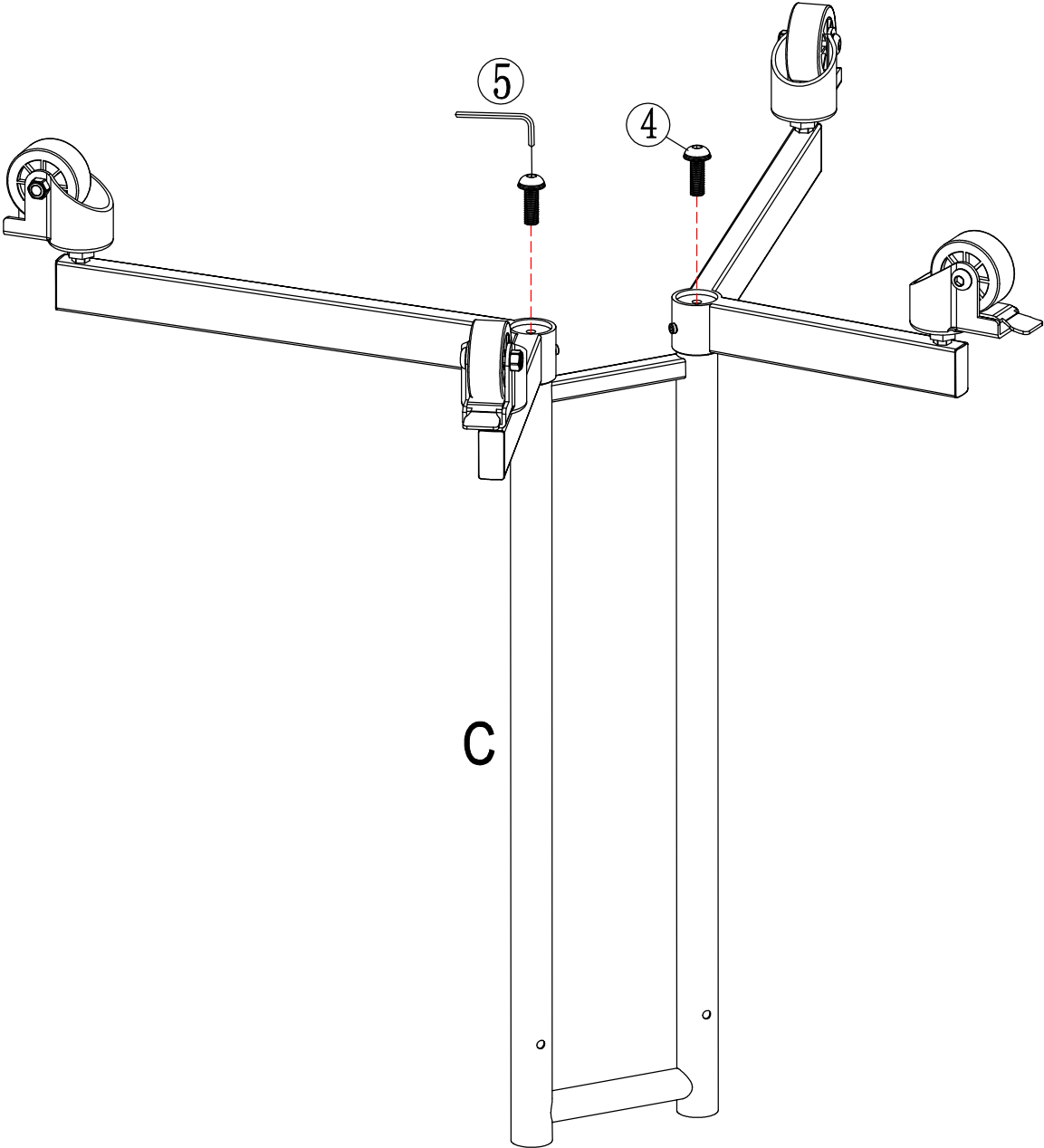
|   |   |   |  |
|---|---|---|--|
|  |  |  |  |
| k-M5/M4<br>washer 4pcs  | l-M6 washer<br>4pcs   | m-10mm<br>spacer 4pcs   | n-2.5mm<br>spacer 8pcs   |

## Assembly steps:

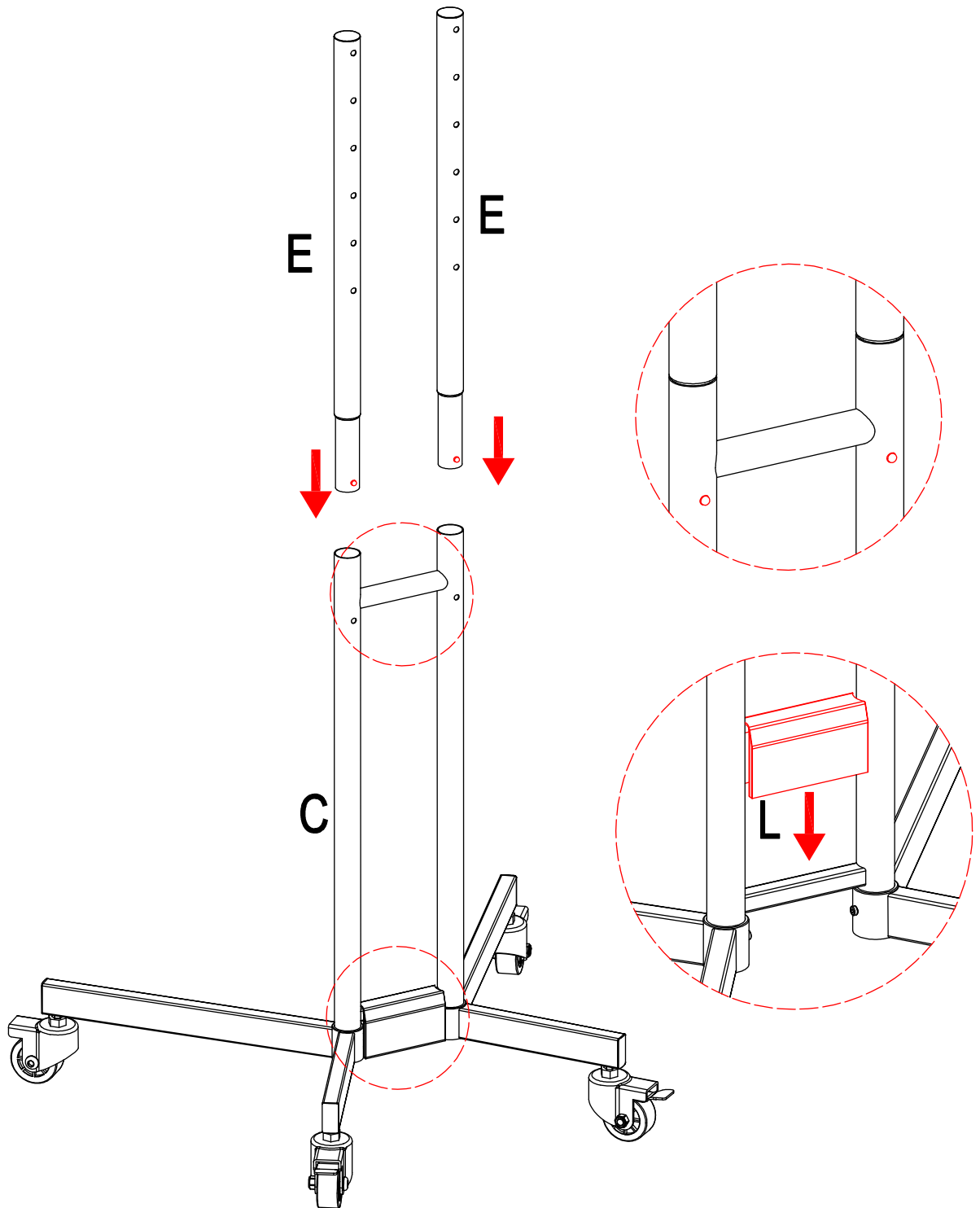
Step 1 Insert base pole(C) into the Cart base(A&B) and tighten with screws(1) using allen key(5).



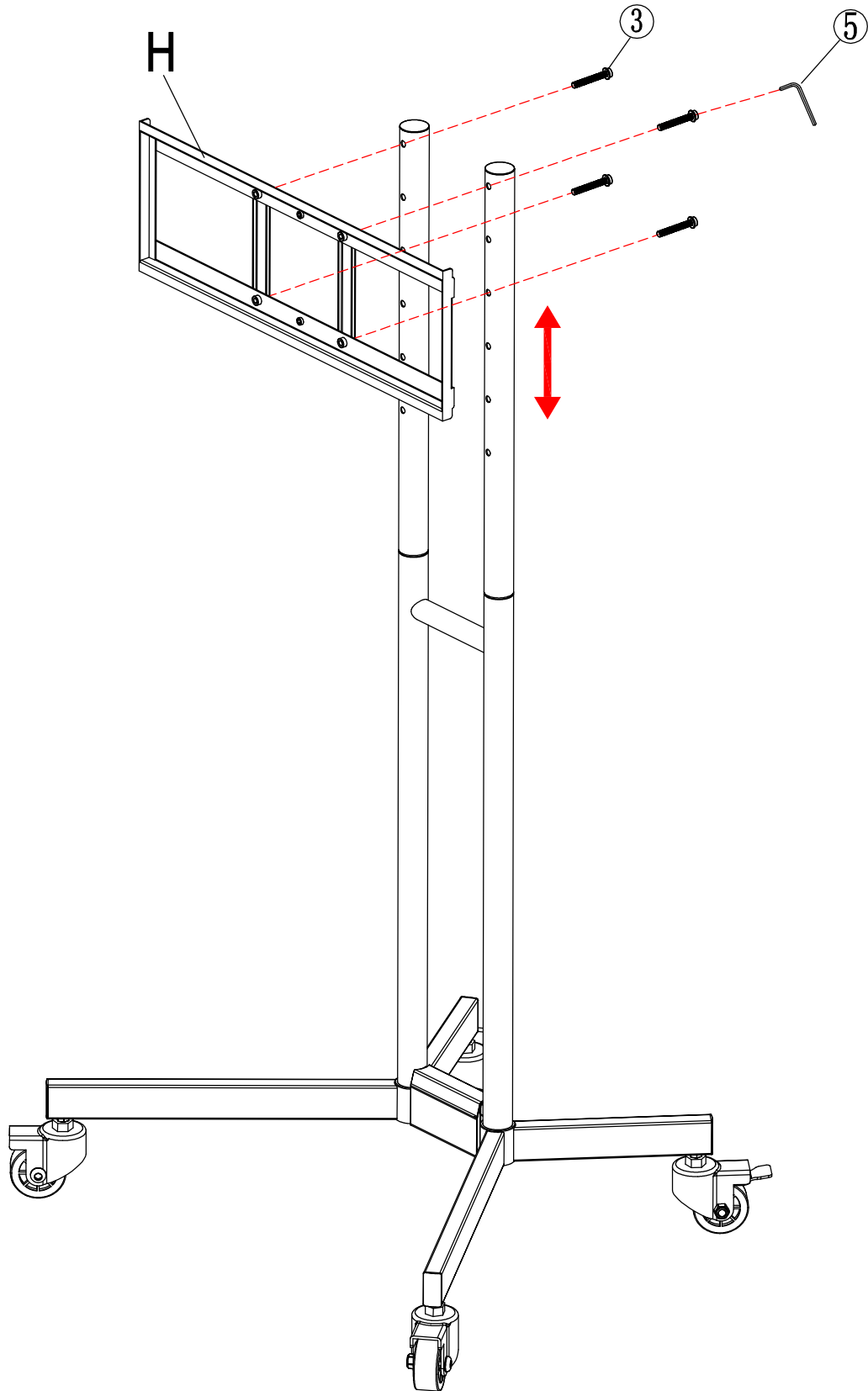
Step 2 Turn Cart base up-side down and tighten screws(4) using allen key(5).



**Step 3** Insert poles(E) into base pole(C). Please make sure holes align with each other until spring pins pop up.  
Attach plastic cover(L) onto the bar on the base pole(C).



**Step 4 Attach television mounting frame(H) to poles(E) with screws (3) using allen key (5).**

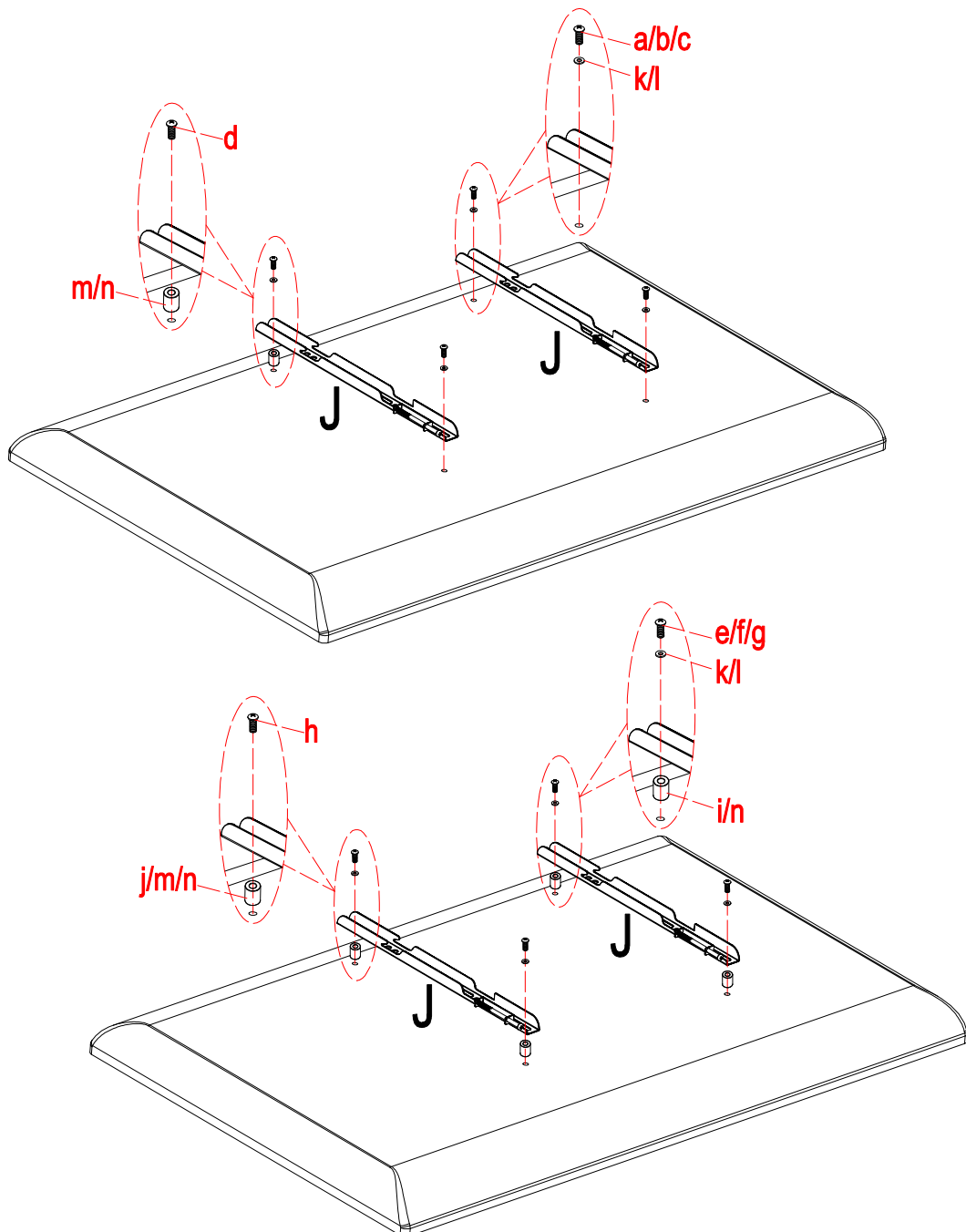




**Step 5** Carefully lay your television face down on a rug or flat carton, then attach mounting brackets(J) to the back of television with included screws and tighten with Phillips screwdriver. (NOTE: spacers are included in case provided screws are too long for screw holes). See hardware chart for list of spacers and screws included in page 2.

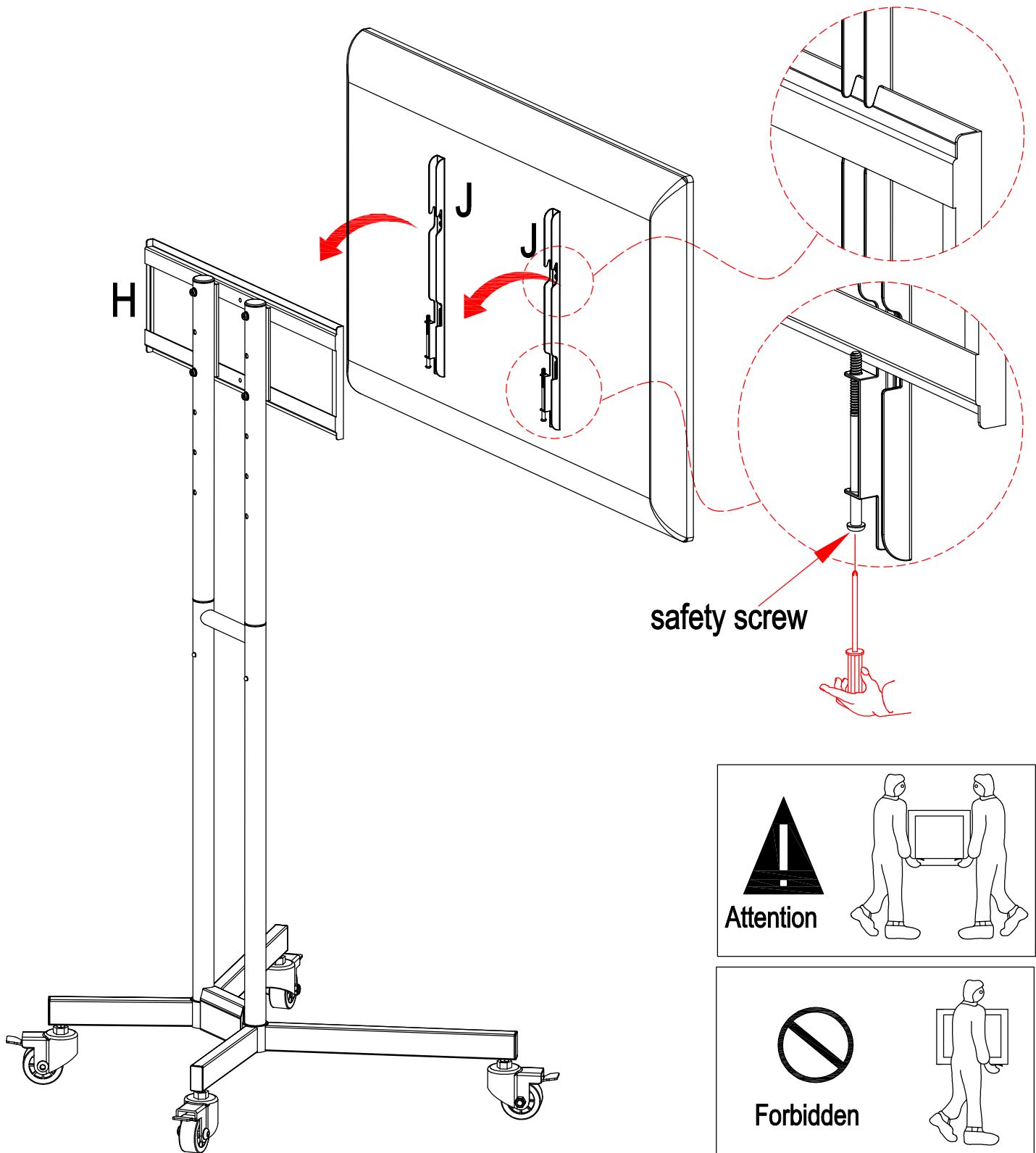
**Assembly Tips:** When attaching mounting brackets, hand tighten screws until the brackets are loosely attached and aligned. Then tighten firmly.

**CAUTION:** Using incorrect bolts may damage your TV.

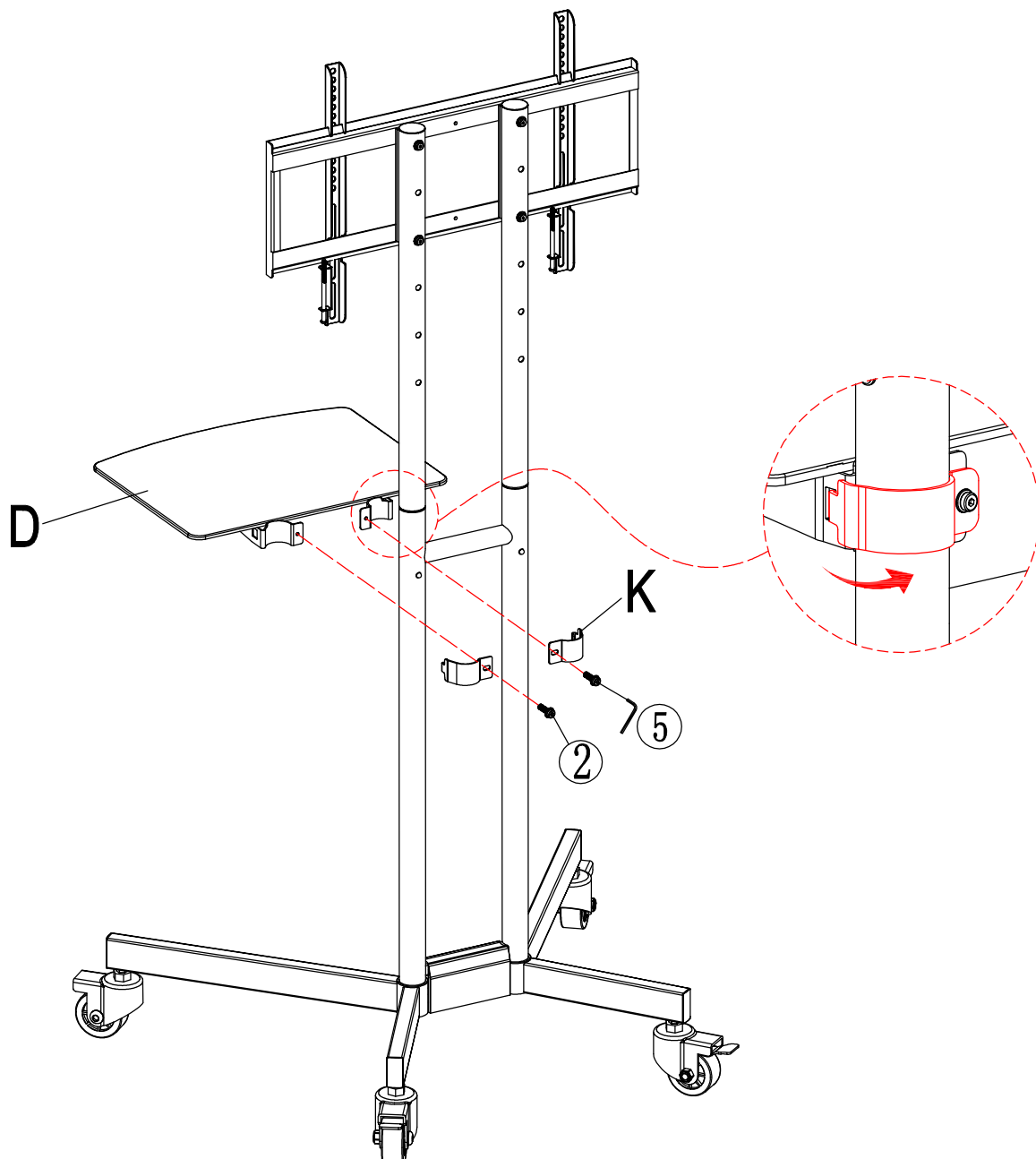


**Step 6** Hang the television onto the mounting frame(H) as shown, then turn the safety screw with Phillips screwdriver clockwise to lock into place.

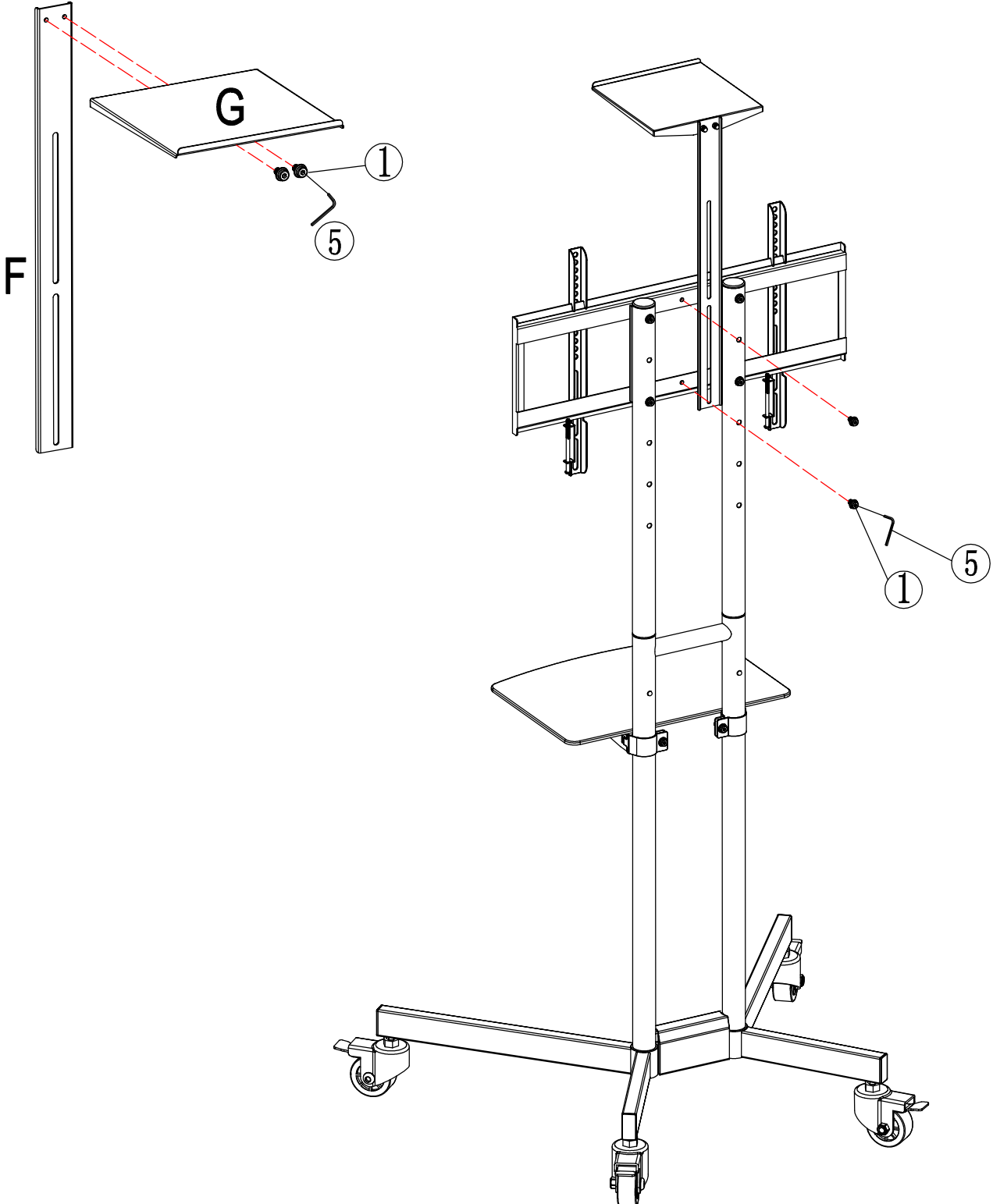
**⚠ CAUTION:** This step requires 2 people to complete.



**Step 7 Component Shelf: Attach DVD shelf(D) to base pole(C) by connecting curved metal clips(K) into the slot of DVD shelf support. Then wrap the metal clips to the other side of DVD shelf support and attach with screws(2) using allen key(5).**



**Step 8 Streaming box tray :** Attach streaming box tray (G) to support bracket (F) with screws (1) using allen key(5). Next attach support bracket(F) to the mounting frame(H) with screws (1). Tighten using allen key(5) .



# Step 9 Finished.

