

# UC-M70-T

## Crestron Flex Tabletop Large Room Video Conference System for Microsoft Teams® Rooms



- *Tabletop video conferencing solution for Microsoft Teams® Rooms environment*
- *Native Microsoft Teams Rooms touch screen UI provides a consistent user experience with simple operation and one-touch meeting joins*
- *Complete kit contains the Crestron Flex tabletop conferencing device, enterprise-grade camera, UC Bracket Assembly, mic pod, cables, and power supply — just add a display and mount*
- *Easy to specify and install — no custom design, programming, or software installation required*
- *Optional integration with Crestron® control systems*
- *Direct connection option between UC Engine and Crestron Flex tabletop conference device for simple installation and configuration*
- *Network management and provisioning, system alerts, and the pairing of the Crestron Flex tabletop conference device to the system's UC Engine through the XiO Cloud® service*
- *Premium-level support with Crestron Flex Care (optional)*
- *Enterprise-grade security - connects and communicates securely over any enterprise or SMB network*

The Crestron Flex UC-M70-T system provides a video conference room solution for use with the Microsoft Teams Rooms intelligent communications platform. It supports a single video display<sup>1</sup>, and features the Crestron Flex tabletop conferencing device (CCS-UC-1-T-V), UC Bracket Assembly (UC-BRKT-200-S-T-ASSY), an enterprise-grade camera (UC-

CAM-HD-520), mic pod (CCS-UCA-MIC), cables, and power supply.

### Native Microsoft Teams® Rooms Experience

The UC-M70-T system brings the full Microsoft Teams Rooms UC experience to any meeting space in an enterprise or SMB facility, whether implementing a cloud based Microsoft Teams Rooms deployment, on-premises Skype® for Business software, or a hybrid of the two.

### Intuitive User Interface with Impressive Audio

The Crestron Flex Tabletop Conference device (CCS-UC-1-T-V) provides a superior conferencing and collaboration experience with its large 7 in. HD display, integrated 360° quad microphone array, and an AEC-enabled USB speakerphone that supports full-duplex wideband audio performance.

### Simplified Deployment

The UC Bracket Assembly (UC-BRKT-200-S-T-ASSY) provides preassembled components on one ready-to-mount bracket to simplify installation. The assembly can be mounted on a wall, or it can be attached to the rear of the display device. Crestron's direct connection method further simplifies installation with a single connection from the Flex tabletop conference device to the UC Bracket Assembly.<sup>2</sup>

### High-Definition Video Conferencing

The included enterprise-grade camera (UC-CAM-HD-520) features a wide-angle 82° diagonal field of view to capture an entire conference room in Full HD 1080p video resolution. High precision aspherical optics, super low light 2M pixel sensor, and advanced video processing ensure a clear video image free from light or noise artifacts.

### Crestron Control System Integration

The Crestron Flex tabletop conferencing device can integrate with a Crestron control system to enable touch screen control of room lighting, motorized window shades, climate control, AV, and other amenities.<sup>3</sup>

### Enterprise-Grade Security

Crestron Flex is an enterprise-grade solution, engineered in partnership with Microsoft® to integrate seamlessly into any Microsoft Teams Rooms or Skype for Business software deployment. Crestron Flex is ideally equipped for mass deployment throughout any sized corporate, university, medical, military, or government facility. Its advanced security features ensure privacy, reliability, and compliance with your organization's IT policies.

### Easy Provisioning and Device Management

The XiO Cloud service<sup>4</sup> is an IoT cloud-based provisioning service that enables installers and IT managers to easily deploy and manage thousands of devices. The XiO Cloud service allows for system alerts, network management and provisioning, and the pairing of a control device to the system's UC Engine. System updates are controlled by Windows® software update.

Visit [www.crestron.com/xiocloud](http://www.crestron.com/xiocloud) for additional information.

# UC-M70-T

## Crestron Flex Tabletop Large Room Video Conference System for Microsoft Teams® Rooms

### Premium-Level Support

Crestron Flex Care is an optional subscription service that automatically renews annually, providing 24/7 live remote technical support, an extended five year warranty on Crestron® hardware, expedited advance replacements, and a discounted rate for on-site support.

Visit [www.crestron.com/flexcare](http://www.crestron.com/flexcare) for additional information.

### Dual Control Option

A TS- or TSW- series 7 in. or 10.1 in. touch screen may be added to the solution as an additional control point for the Microsoft Teams Rooms environment.<sup>2,3</sup>

### Deployment Resources

View the [Crestron Flex Pre-Deployment Checklist](#) to help plan your Crestron Flex installation.

## Specifications

### Included Components

<b>CCS-UC-1-T-V</b>	Crestron Flex tabletop conferencing device: <ul style="list-style-type: none"><li>Cable, CAT5e, RJ-45-to-RJ-45, 12 ft (3.66 m);</li><li>Cable management hardware</li></ul>
<b>UC-BRKT-200-S-T-ASSY</b>	UC Bracket Assembly for Microsoft Teams Rooms systems, comprised of: <ul style="list-style-type: none"><li>UC-ENGINE-S-T: UC Engine for Microsoft Teams video</li><li>ADPT-USB-ENET: USB-to-Ethernet Adapter</li><li>HD-CONV-USB-200: HDMI® to USB 3.0 converter for content ingest</li><li>Mounting hardware</li></ul>
<b>UC-CAM-HD-520</b>	Enterprise-grade camera
<b>CCS-UCA-MIC</b>	Extension microphone pod
<b><a href="#">CBL-CAT5E-7</a></b>	Ethernet LAN cable for UC Engine, RJ-45-to-RJ-45, black, 7 ft (2.1 m)
<b><a href="#">CBL-HD-6</a></b>	HDMI Interface Cable, 6 ft (1.8 m)
<b><a href="#">CBL-HD-20</a></b>	HDMI Interface Cable, 20 ft (6.1 m)
<b><a href="#">CBL-USB-A-BMICRO-6</a></b>	USB Cable, USB Type A Male to Micro-B Male cable, 6 ft (1.8 m)
<b><a href="#">CBL-USB-A-EXT-15</a></b>	USB Extension Cable, USB Type A Male-to-Female, 15 ft (4.6 m)

### [DM-CBL-ULTRA-PC-20](#)

Ethernet LAN cable for touch screen, CAT6a, RJ-45-to-RJ-45, blue, 20 ft (6 m)

### [PW-2420RU](#)

Universal power supply and power cord

### EDID passthrough

HDMI Female-to-Male

### Crestron Flex tabletop conferencing device

#### Touch Screen

7 in. (178 mm) diagonal capacitive multi-touch TFT active matrix color LCD, 1280 x 800 pixels

#### UI

Microsoft Teams Rooms UI plus optional Crestron room control UI<sup>5</sup>

#### Mic Mute Symbol and Light Bar

(2) Capacitive buttons with bi-color LEDs, either button toggles between mute and unmute

#### AEC

Limes Audio TrueVoice® acoustic echo cancellation, automatic mic mixing, automatic gain control, and dynamic noise reduction, full-duplex IEEE 1329 Type 1 compliant

#### Speaker

Full range speaker; Amplifier Power: 11 W; 95 dB SPL at 0.5 m maximum output; Frequency Response: 90 Hz to 22 kHz

#### Microphones

360° quad mic array; Pickup Range (typical): 20 ft (6 m)

#### Extension Microphones

One extension microphone pod (CCS-UCA-MIC) included

#### Occupancy Sensor

6 ft (1.83 m) PIR range in front of touch screen;

#### Ethernet

Dual-port 100 Mbps, enterprise grade security and management including IEEE 802.1X, Active Directory® authentication, LDAP, Kerberos, SSL, TLS, SSH, SFTP (SSH File Transfer Protocol), SRTP, digest access authentication, password login, HTTPS secure provisioning, XiO Cloud service, Microsoft Intune® client, primary port is IEEE 802.3at Type 2 PoE+ compliant

#### USB

USB 2.0 micro Type B device port, supports UAC for audio interface to UC Engine (cable included)

# UC-M70-T

## Crestron Flex Tabletop Large Room Video Conference System for Microsoft Teams® Rooms

**Power Options** PoE+: IEEE 802.3at Type 2, Class 4 (25.5 W) PoE+ Powered Device

**NOTE:** If the additional mic pod (CCS-UCA-MIC) is used, PoE+ cannot be used to power the device.

24 VDC: 24 VDC via external 100-240 VAC, 50/60 Hz power pack, model [PW-2420RU](#)

**Dimensions** Height: 4.11 in. (104 mm)  
Width: 8.92 in. (227 mm)  
Depth: 12.74 in. (324 mm)

**Weight** 5.5 lb (2.5 kg)

### Microphone Pod

**Model** CCS-UCA-MIC

**Communications** A2B bus protocol, slave, synchronous data, multichannel I2S/TDM to I2S/TDM

**Microphone** Triple mic array with (3) cardioid electret elements

**Pickup Range** 20 ft (6 m) typical, 360°

**Mic Mute** (1) Capacitive button with bi-color LED, toggles between mute and unmute (affects all system mics)

**Connectors** (2) RJ9 4P4C connector, female

**Power** Powered via the CCS-UC-1-T-V through the A2B bus

**Dimensions** Height: 0.97 in (25 mm)  
Width: 3.81 in (97 mm)  
Depth: 3.42 in (87 mm)

### Camera

**Image Sensor** Super low light 2M pixel sensor maintains a clear and natural image in low light conditions

**Lens Focal Length** 3.9 mm (wide) ~ 47.3 mm (tele)

**Wide Field of View** 82°

**Lens F#** 1.8 (wide) ~ 2.8 (tele)

**Pan/Tilt/Zoom** Pan: ±170°;  
Tilt: +90° (up), -30° (down);  
18X total zoom (12X optical zoom)

**Connectivity** USB Type-C® connector

**Power** 12 VDC power adapter

**Resolution/FPS** HD 1080p @ 30 fps

**Dimensions** Height: 7.17 in. (182 mm)  
Width: 6.02 in. (153 mm)  
Depth: 5.63 in. (143 mm)

### UC Bracket Assembly

**Mini PC** Intel Core® processor with Windows® 10 IOT Edition OS, 4K UHD Graphics, and 100/1000 Mbps Ethernet connectivity

**UC Client** Microsoft Teams Rooms or Skype for Business Software

**Management Client** XiO Cloud Service

**Content Ingest** HDMI input via HDMI to USB 3.0 converter (model HD-CONV-USB-200)

**Display Output** Single display support

**Display Output Resolution** 1080p

**Power** 65W via external 100-240 VAC, 50/60 Hz adapter (included)

**Construction** Metal mounting bracket, black, preassembled with UC-ENGINE-S-T and HD-CONV-USB-200

**Mounting** Surface wall mount behind the display device, or attach to the rear of the display device via the bolts attaching the display to a VESA® compliant display mount; Bracket includes mounting holes on both side edges, spaced 100, 200, and 300 mm vertically, to allow for attachment to either side of the display mounting plate

**Dimensions** Height: 15.00 in. (381 mm)  
Width: 14.50 in. (368 mm)  
Depth: 1.72 in. (44 mm)

**Weight** 6.64 lb (3.0 kg)

### Model

UC-M70-T

### Available Accessories

For a list of available accessories, visit the [UC-M70-T](#) product page.

# UC-M70-T

## Crestron Flex Tabletop Large Room Video Conference System for Microsoft Teams® Rooms

### Notes:

1. Display must support "Wake on Sync" and "Sleep on No Sync" functionality. Consult the display manufacturer's specifications or internal settings of the specific display.
2. Only one control device may be connected via direct connection method.
3. Room control capability (lighting, shades, thermostats, etc.) requires additional equipment and commissioning to be provided by a Crestron authorized integrator and/or programmer. Additional costs may apply.
4. The XiO Cloud service is a room based subscription service available separately.

This product may be purchased from select authorized Crestron dealers and distributors. To find a dealer or distributor, please contact the Crestron sales representative for your area. A list of sales representatives is available online at [www.crestron.com/How-To-Buy/Find-a-Representative](http://www.crestron.com/How-To-Buy/Find-a-Representative) or by calling 855-263-8754.

This product is covered under the Crestron standard limited warranty. Refer to [www.crestron.com/warranty](http://www.crestron.com/warranty) for full details.

The specific patents that cover Crestron products are listed online at [patents.crestron.com](http://patents.crestron.com).

Certain Crestron products contain open source software. For specific information, please visit [www.crestron.com/opensource](http://www.crestron.com/opensource).

Crestron, the Crestron logo, and XiO Cloud are either trademarks or registered trademarks of Crestron Electronics, Inc. in the United States and/or other countries. TrueVoice is either a trademark or registered trademark of Google Inc. in the United States and/or other countries. HDMI is either a trademark or registered trademark of HDMI Licensing LLC in the United States and/or other countries. Intel Core is either a trademark or registered trademark of Intel Corporation in the United States or other countries. Active Directory, Microsoft, Microsoft Intune, Microsoft Teams, Skype, and Windows are either trademarks or registered trademarks of Microsoft Corporation in the United States and/or other countries. USB Type-C is either a trademark or registered trademark of USB Implementers Forum, Inc. in the United States and/or other countries. DisplayPort and VESA are either trademarks or registered trademarks of Video Electronics Standards Association in the United States and/or other countries. Other trademarks, registered trademarks, and trade names may be used in this document to refer to either the entities claiming the marks and names or their products. Crestron disclaims any proprietary interest in the marks and names of others. Crestron is not responsible for errors in typography or photography.

Specifications are subject to change without notice.

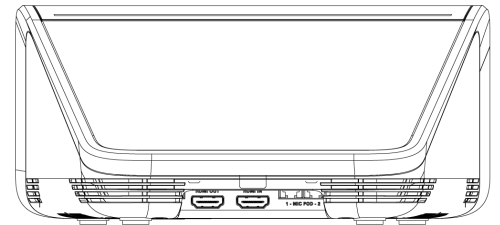
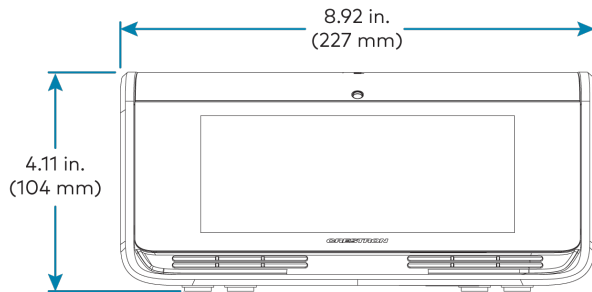
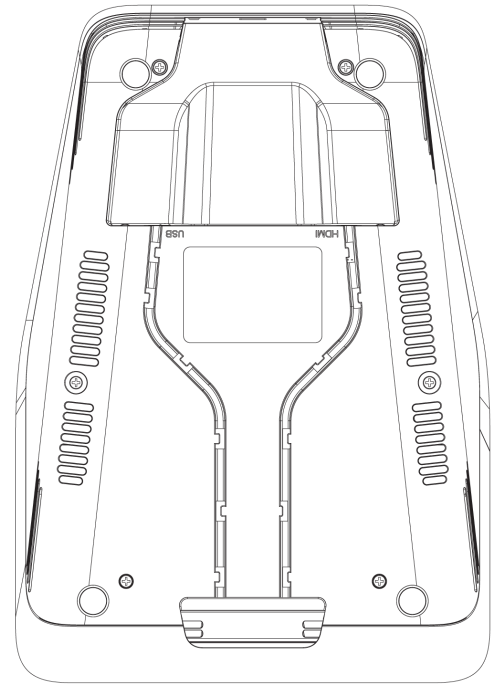
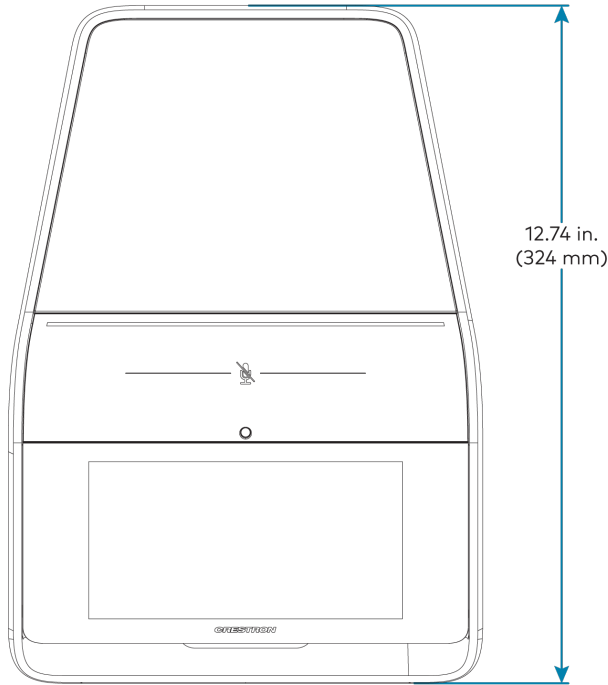
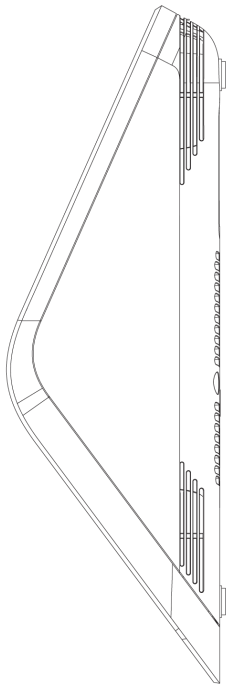
©2020 Crestron Electronics, Inc.

Rev 12/04/20

# UC-M70-T

Crestron Flex Tabletop Large Room Video Conference System for Microsoft Teams® Rooms

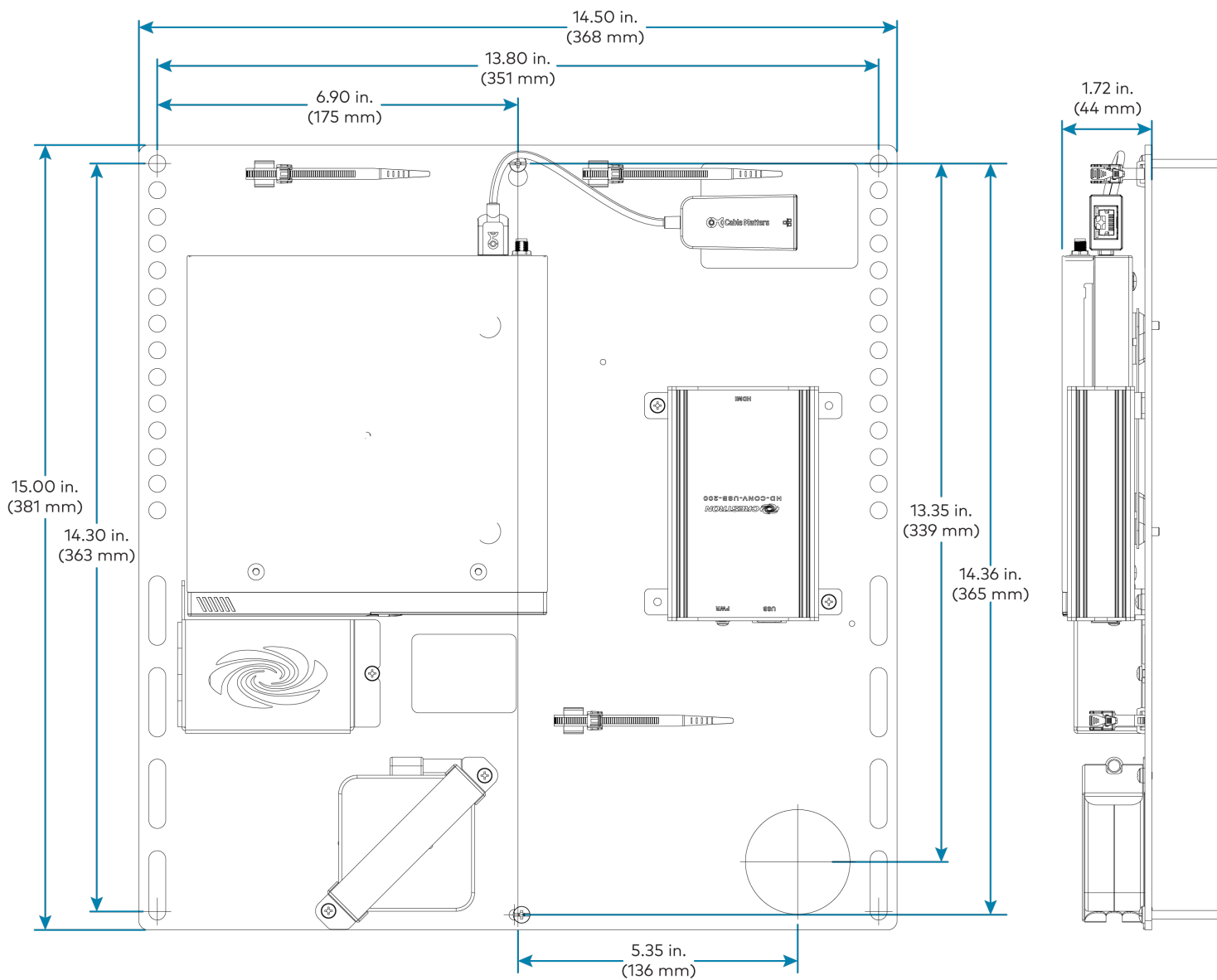
CCS-UC-1-T-V



# UC-M70-T

Crestron Flex Tabletop Large Room Video Conference System for Microsoft Teams® Rooms

## UC-BRKT-200-S-T-ASSY



# UC-M70-T

Crestron Flex Tabletop Large Room Video Conference System for Microsoft Teams® Rooms

## CCS-UCA-MIC

