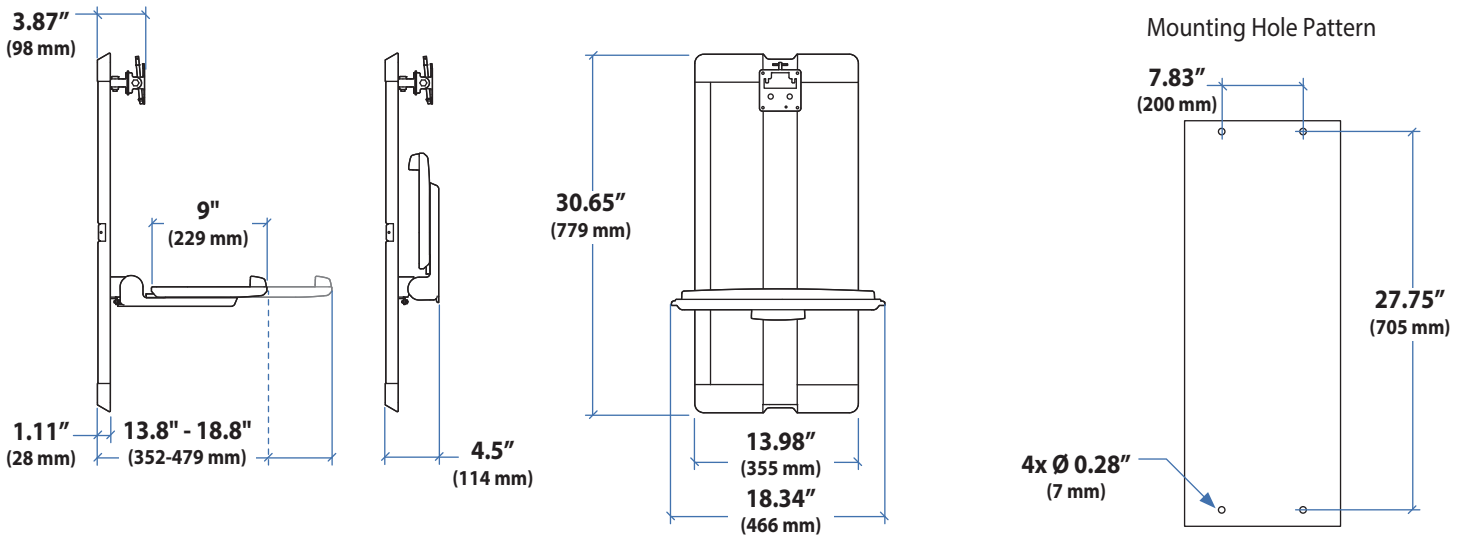


Vertical Lift, Patient Room



Centerline of Four-Hole VESA FDMI Pattern

Rear of Monitor

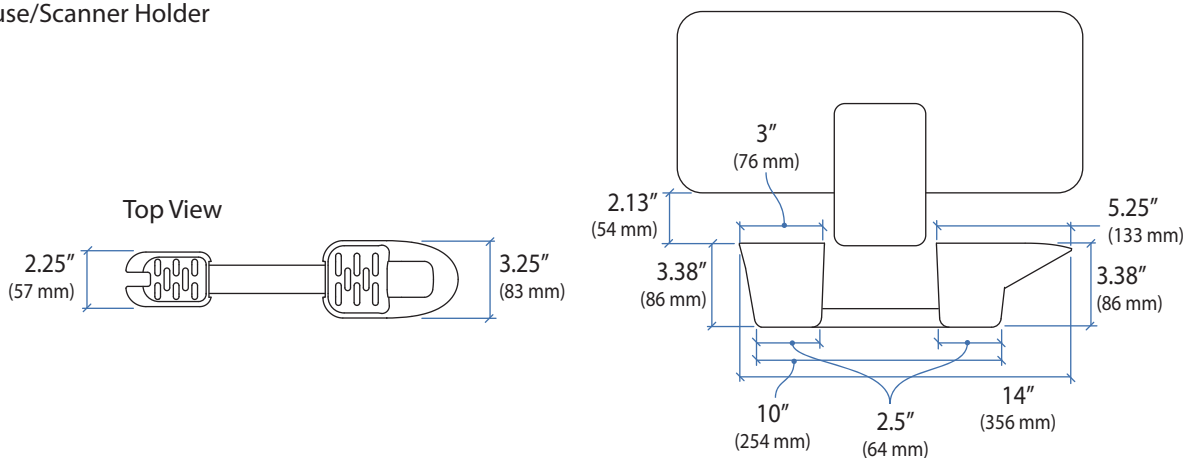
Minimizing Vertical Lift Storage Profile

For keyboard to fit under the monitor when in storage position, follow these guidelines:

1. Keyboard should not be more than 8-1/8" (206 mm) deep if using wrist rest, or 9-1/2" (241 mm) if no wrist rest is used.
2. Dimension "A" must be no greater than 6-5/8" (168 mm).

NOTE: Keyboard needs to attach to the lowest set of holes.

Mouse/Scanner Holder



© 2010 Ergotron, Inc. rev. 01/07/2019 DIM-033-SV-Scan-Mouse Content is subject to change without notification

Americas Sales and Corporate Headquarters

St. Paul, MN USA
 (800) 888-8458
 +1-651-681-7600
 www.ergotron.com
 sales@ergotron.com

EMEA Sales

Amersfoort, The Netherlands
 +31 33 45 45 600
 www.ergotron.com
 info.eu@ergotron.com

APAC Sales

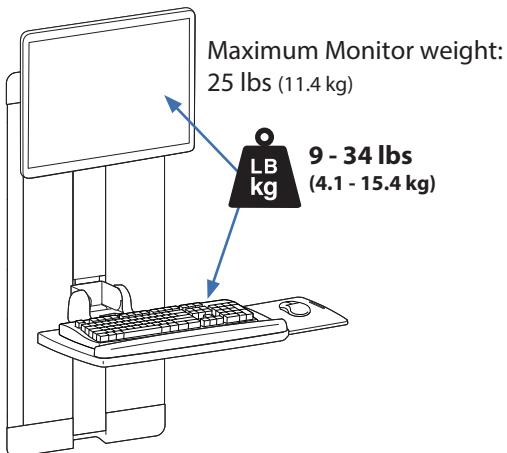
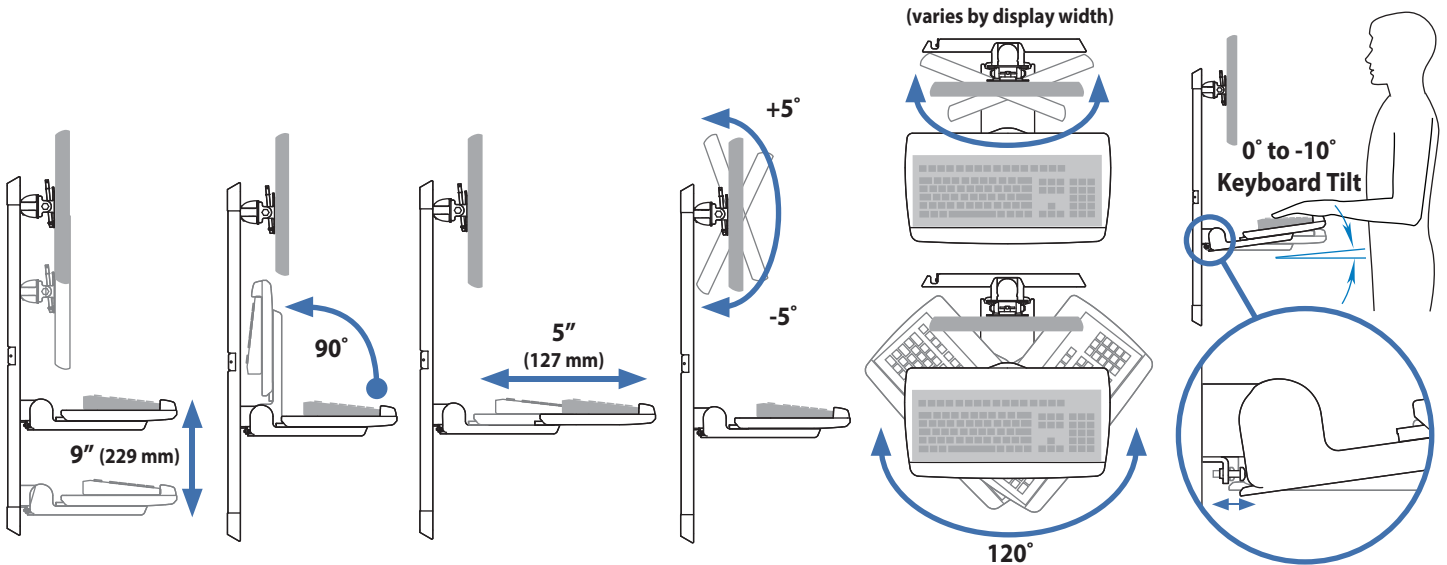
Tokyo, Japan
 www.ergotron.com
 japansupport@ergotron.com

Worldwide OEM Sales

www.ergotron.com
 info.oem@ergotron.com



Vertical Lift, Patient Room



© 2010 Ergotron, Inc. rev. 01/07/2019 DIM-033-SV-Scan-Mouse Content is subject to change without notification

Americas Sales and Corporate Headquarters

St. Paul, MN USA
(800) 888-8458
+1-651-681-7600
www.ergotron.com
sales@ergotron.com

EMEA Sales

Amersfoort, The Netherlands
+31 33 45 45 600
www.ergotron.com
info.eu@ergotron.com

APAC Sales

Tokyo, Japan
www.ergotron.com
japansupport@ergotron.com

Worldwide OEM Sales

www.ergotron.com
info.oem@ergotron.com

