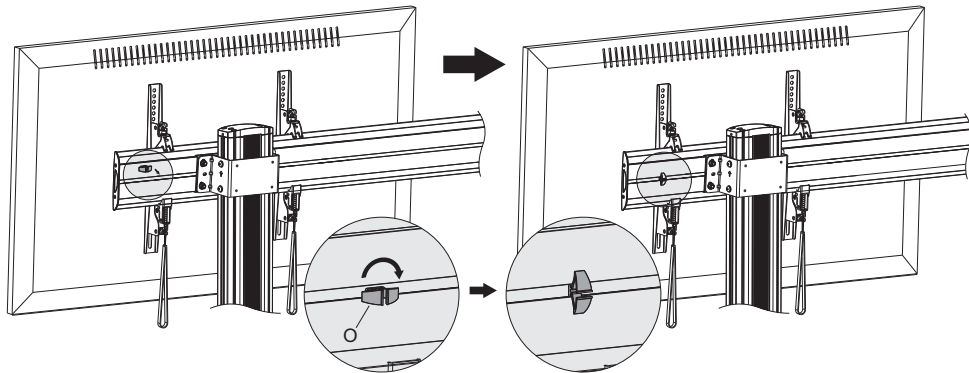
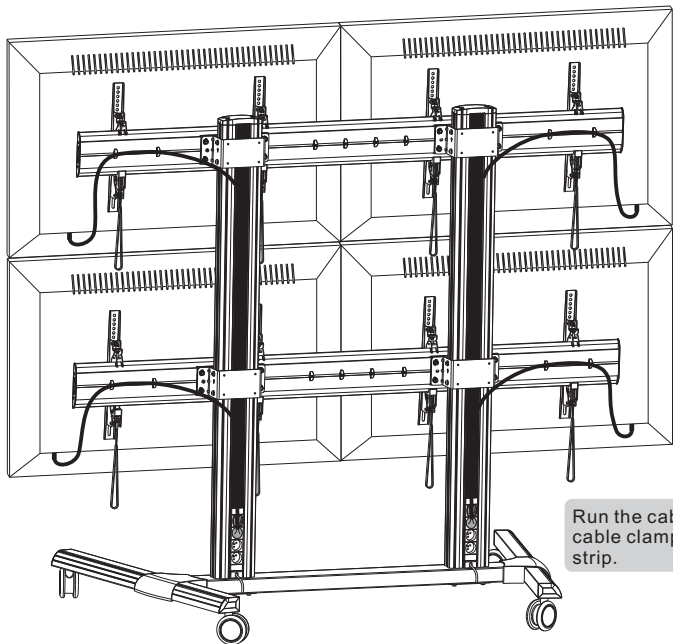


Video Wall Stand & Cart and Accessories

11. Cable Management



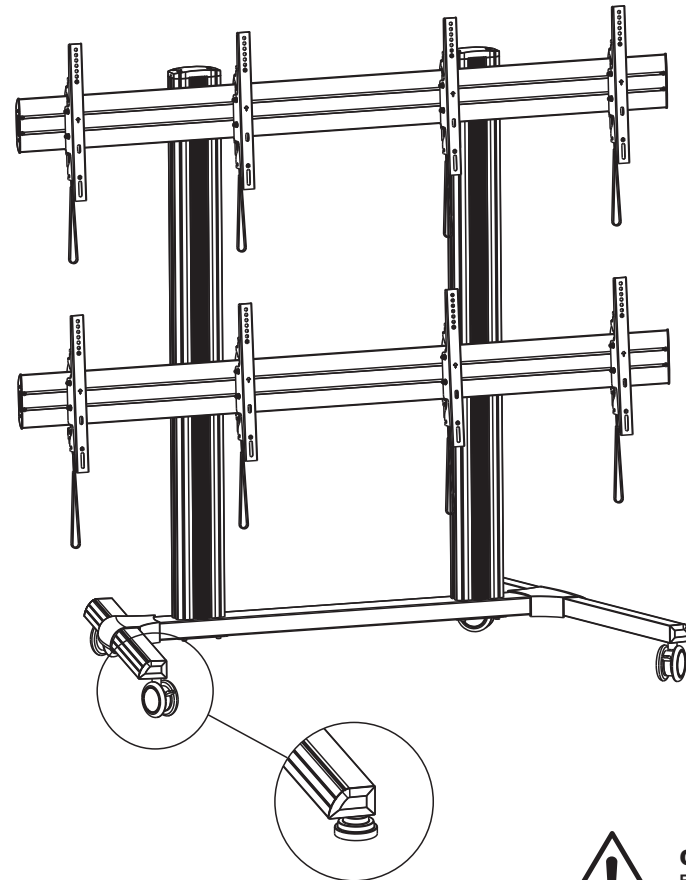
Insert the cable clamps horizontally into the plate slots, then turn the cable clamps to the vertical to secure them.



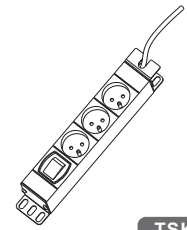
Run the cables through the cable clamps and the rubber strip.

Maintenance

- Check that the bracket is secure and safe to use at regular intervals(at least every three months).
- Please contact your distributor if you have any questions.



Optional Accessories



TSK01

Note: The accessories are not standard equipped. The accessories will be selected according to user requirement.



CAUTION: DO NOT EXCEED RATED LISTED WEIGHT. SERIOUS INJURY OR PROPERTY DAMAGE MAY OCCUR!

QVS01-446FW	200x200/300x300 400x200/400x400 600x400	55" MAX	60kgx4 (132lbsx4) RATED
	200x200/300x300 400x200/400x400 600x400	55" MAX	

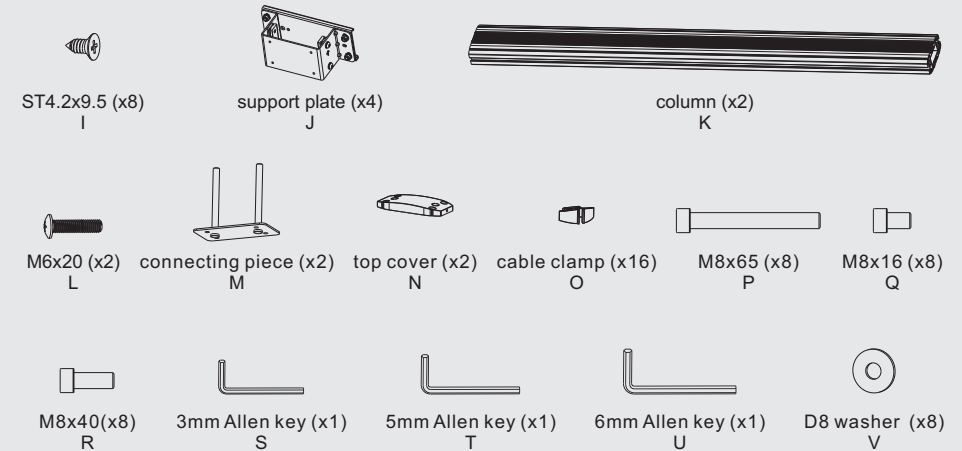
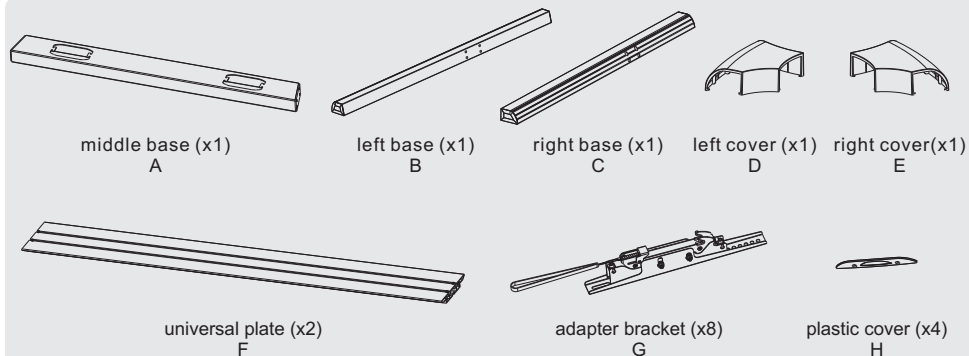
NOTE: Read the entire instruction manual before you start installation and assembly.

⚠ WARNING

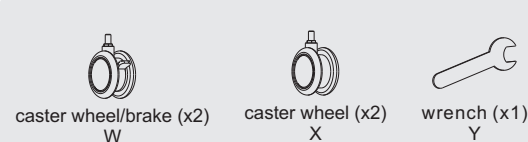
- Do not begin the installation until you have read and understood all the instructions and warnings contained in this installation sheet. If you have any questions regarding any of the instructions or warnings, please contact your local distributor.
- This mounting bracket was designed to be installed and utilised **ONLY** as specified in this manual. Improper installation of this product may cause damage or serious injury.
- Always use an assistant or mechanical lifting equipment to safely lift and position the equipment.
- Tighten screws firmly, but do not over tighten. Over tightening can cause damage to the items, This greatly reduces their holding power.
- This product is intended for indoor use only. Using this product outdoors could lead to product failure and personal injury.

IMPORTANT: Ensure that you have received all parts according to the component checklist prior to installation. If any parts are missing or faulty, telephone your local distributor for a replacement.

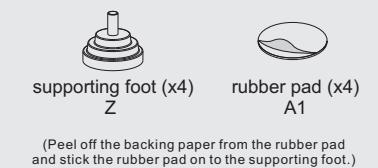
LVS01-446FW/FF



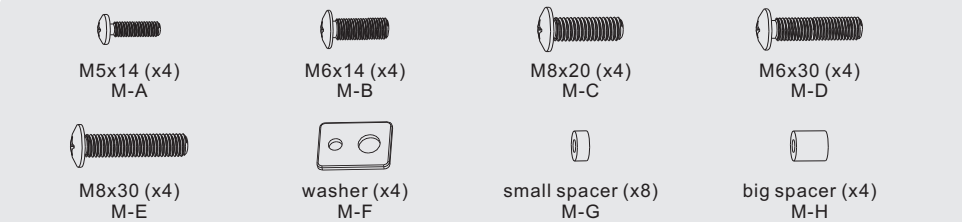
Component (LVS01-446FW only)



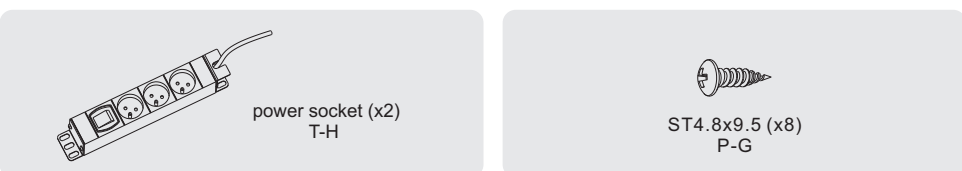
Component (LVS01-446FF only)



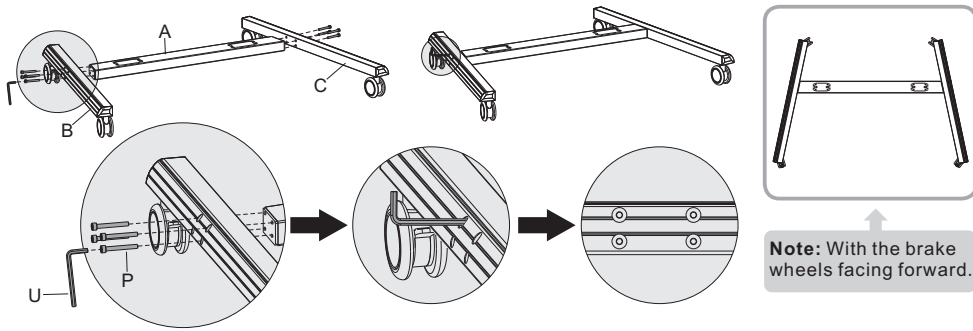
Package M (x4)



TSK01 (The following accessories are optional)

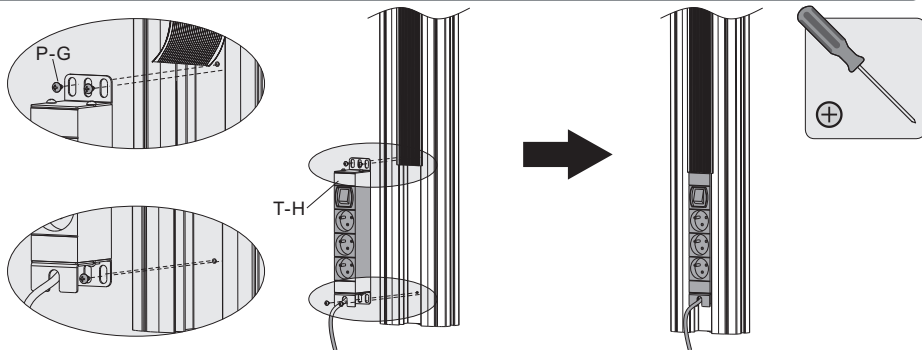


1. Assembling the Base



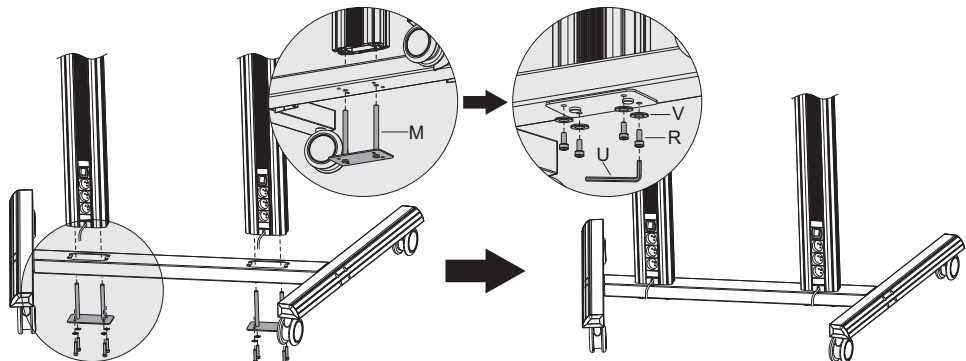
Attach the left and right base to the middle base using the appropriate screws. Tighten all screws with an Allen key.

2. For the model TSK01 installation (Assembly based on the accessories selected by user.)



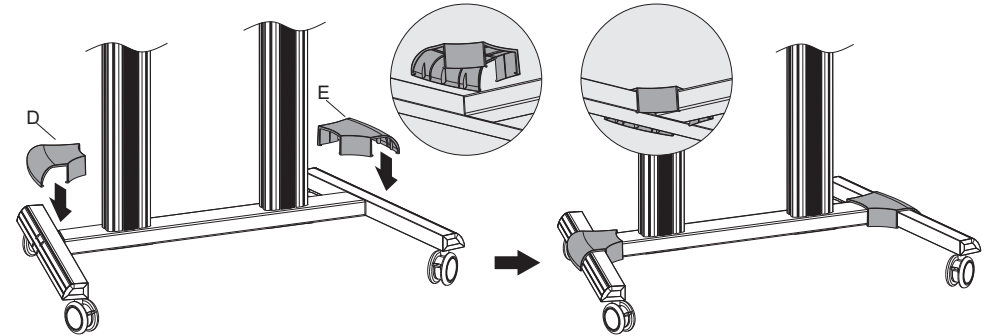
Attach the power sockets to the back of columns using the appropriate screws. Tighten all screws with a phillips screwdriver.

3. Attaching the Columns to the Base

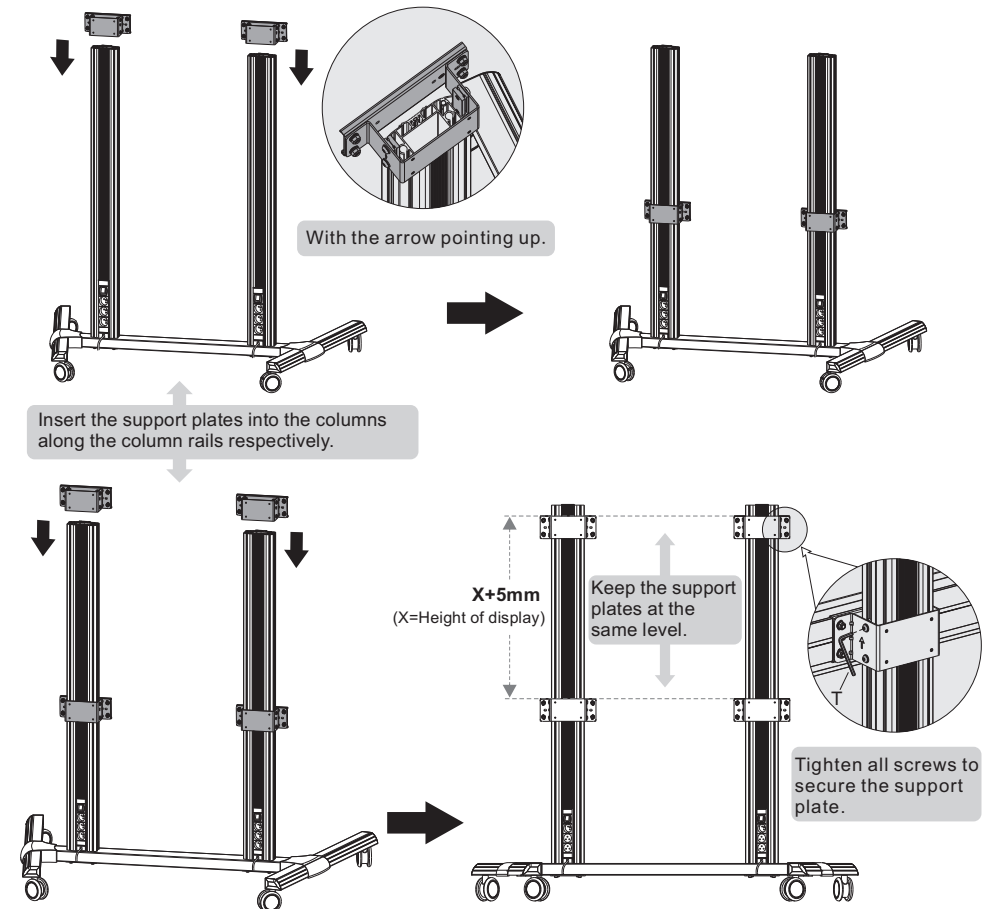


Attach the columns to the assembled base using the connecting pieces, secure them with the appropriate screws.
NOTE: Lock the brakes on the casters to avoid any sudden movements during installation.

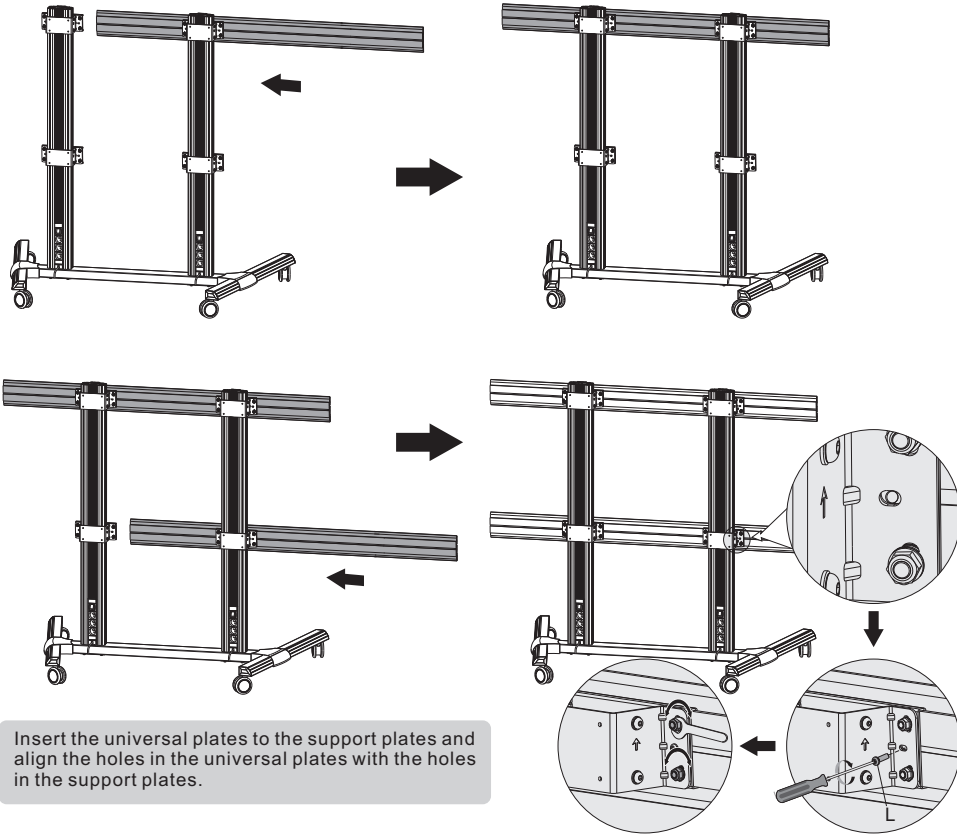
4. Installing the Covers



5. Installing the Support Plates

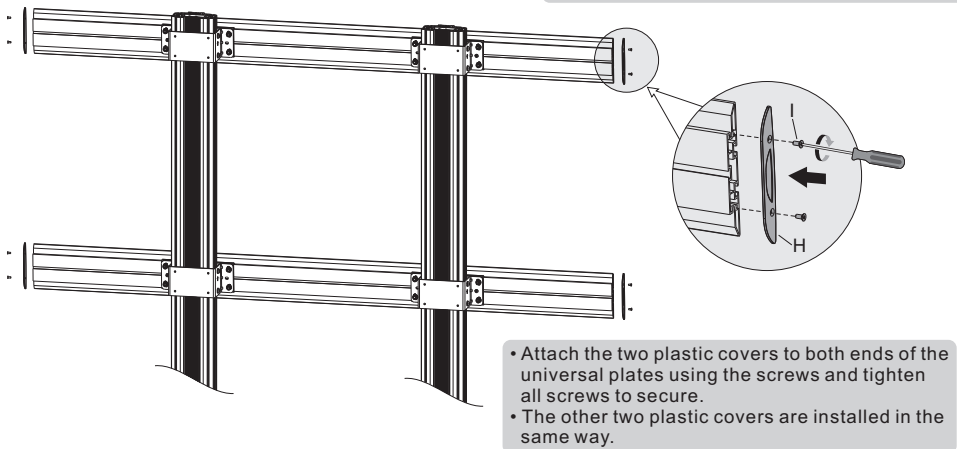


6. Installing the Universal Plates



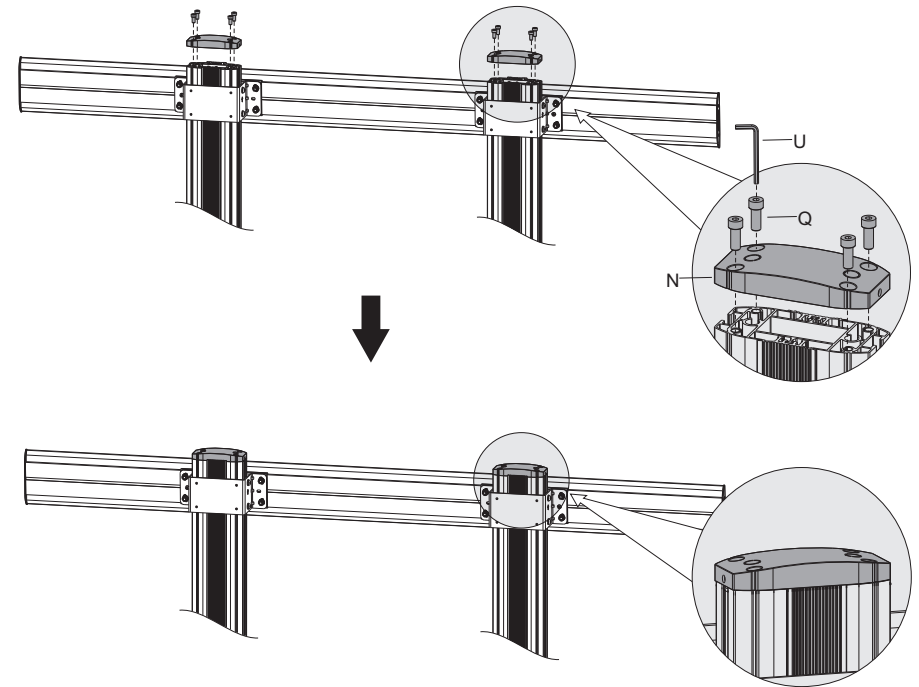
Insert the universal plates to the support plates and align the holes in the universal plates with the holes in the support plates.

- Install the screw into either of two holes.
- Tighten all screws but do not over tighten!



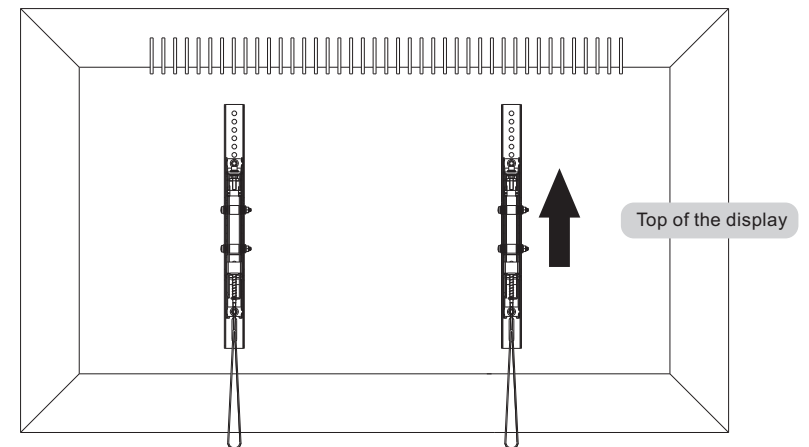
- Attach the two plastic covers to both ends of the universal plates using the screws and tighten all screws to secure.
- The other two plastic covers are installed in the same way.

7. Installing the Top Covers

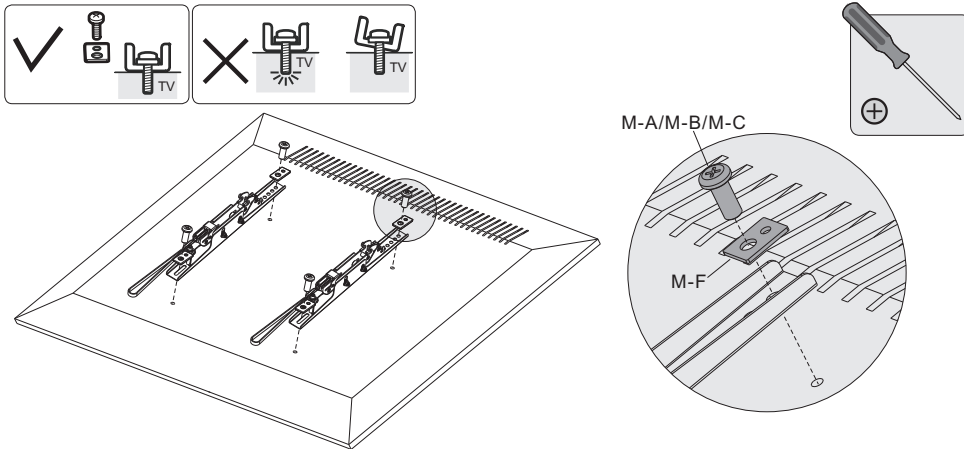


Attach the top covers to the columns using the appropriate screws. Tighten all screws with an Allen key.

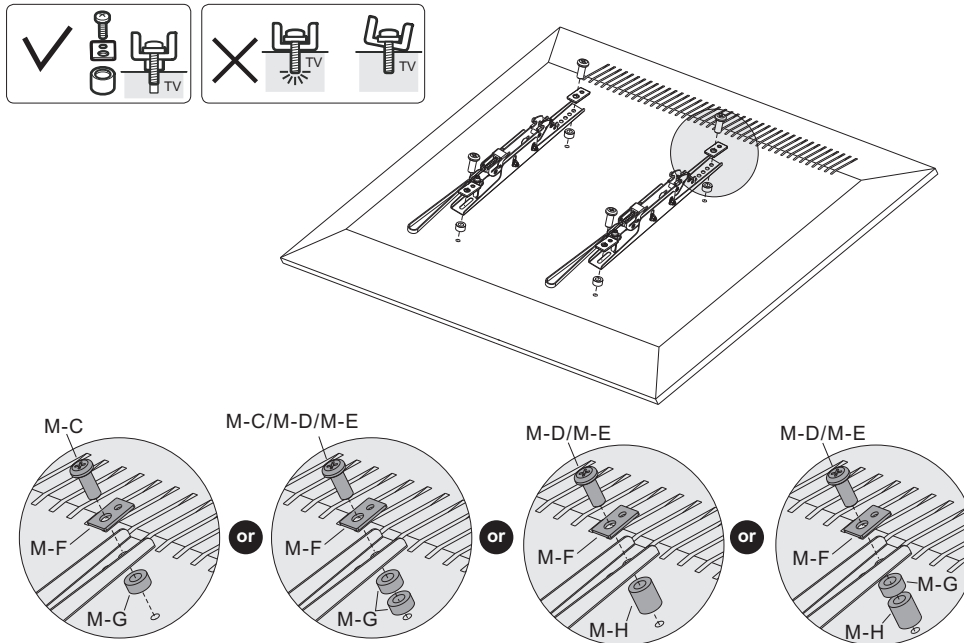
8. Installing the Adapter Brackets



8-1 For Flat Back Screens



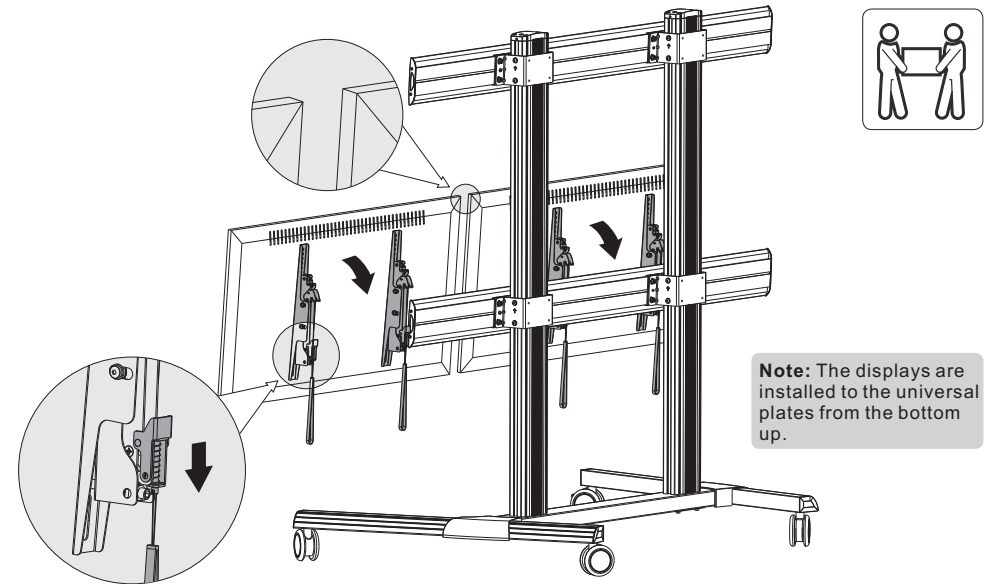
8-2 For Recessed Back Screens or to Access A/V Inputs



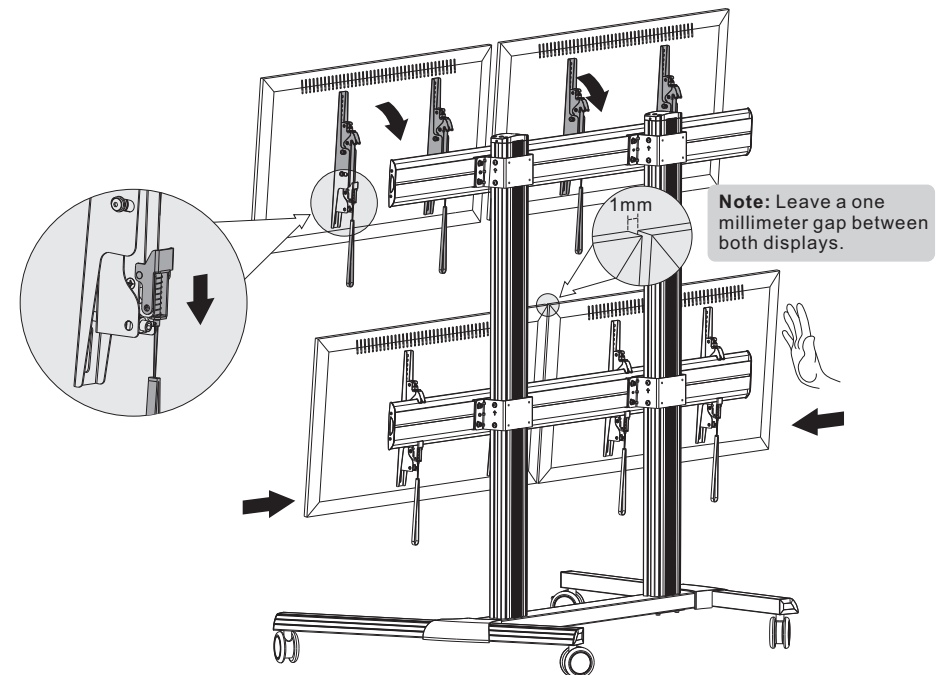
Note: Choose the appropriate screws, washers and spacers (if necessary) according to the type of screens.
 • Position the adapter brackets as close as possible to the center of the displays.
 • Screw the adapter brackets onto the displays.

⚠ Tighten all screws but do not over tighten.

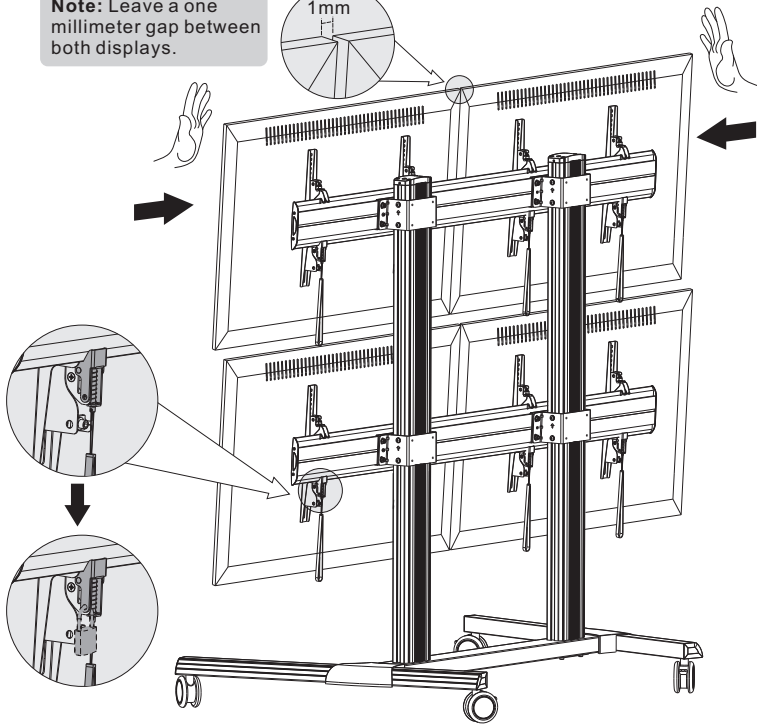
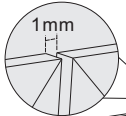
9. Hanging the Displays onto the Universal Plates



• Lift the display carefully and pull downward two straps at the same time, then hook the adapter brackets to the universal plates. Fasten the adapter brackets to the universal plate by releasing the straps.
 • The other displays are hung onto the universal plates in the same way.

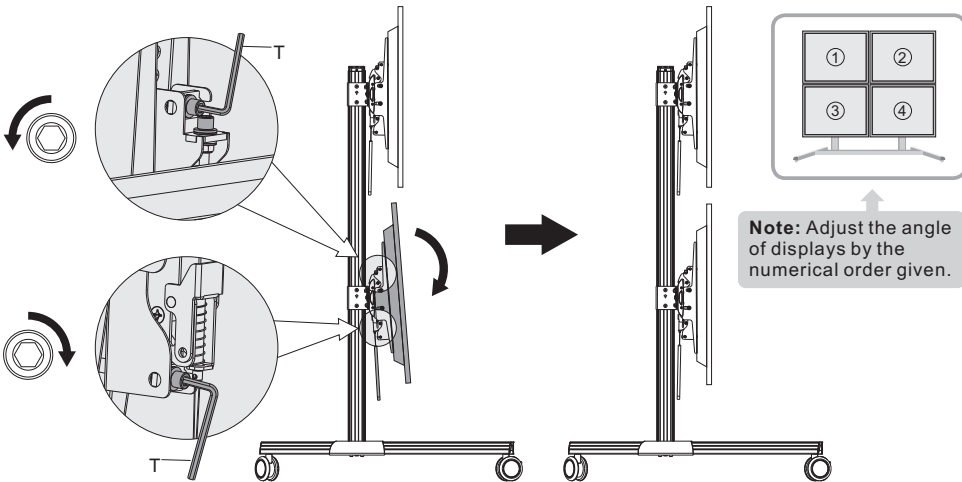


Note: Leave a one millimeter gap between both displays.



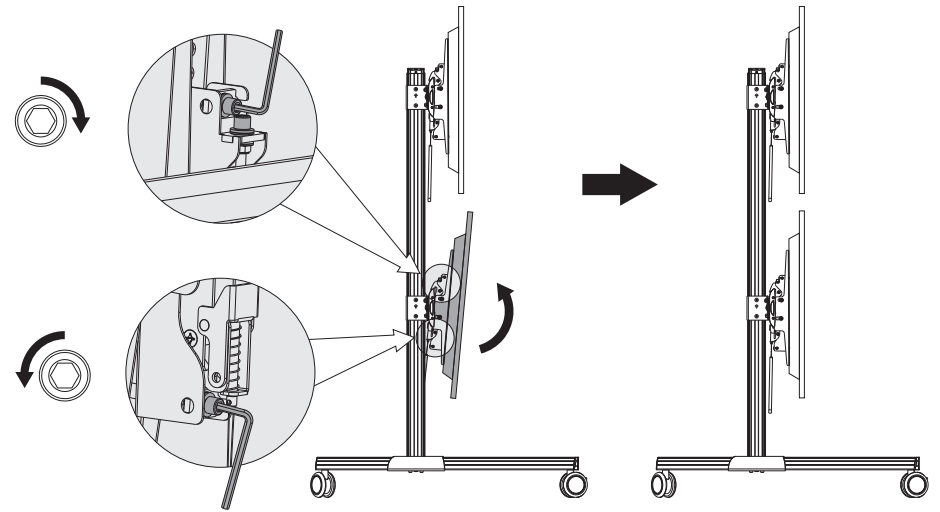
Use the padlocks to prevent the displays from being stolen (The padlocks are not included).

10. Micro-Adjustment

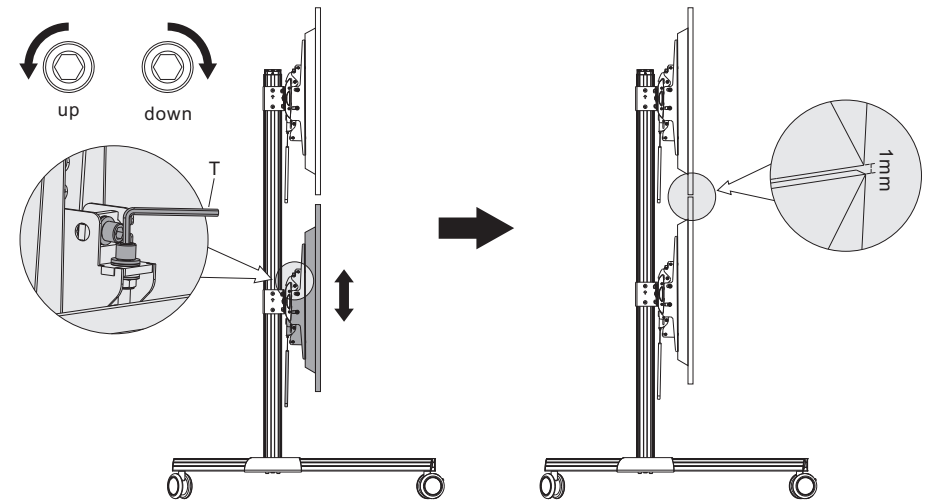


Note: Adjust the angle of displays by the numerical order given.

If the displays uptilted, rotate the adjustment screws as shown in figure.



If the displays tilted down, rotate the adjustment screws as shown in figure.



Rotate the adjustment screws as shown in figure to make a one millimeter gap left between the upper and lower displays.