



## FEATURES

- 1 ULTRA-LOW PROFILE**  
Sleek design collapses to 1.5" (38 mm), providing an ultra-low profile for all types of TVs, including LED, LCD and Plasma.
- 2 EXTENDS UP TO 25" (635 mm)**  
Full extension maximizes viewing potential.
- 3 CENTRIS® LOW-PROFILE TILT**  
Provides up to 15° of effortless fingertip tilt to achieve optimal viewing angles.
- 4 CENTERLESS™ LATERAL SHIFT**  
Post-installation lateral shift allows up to 16" (406 mm) of adjustment for limitless centering capability.
- 5 INTEGRATED CABLE MANAGEMENT**  
Enclosed, tool-less cable covers and a wide open wall plate make it easy to route power and signal cables, and connect to the wall for a seamless installation.



## SPECIFICATIONS

Extension	25" (635 mm)
Tilt	-15°
Height Adjust	1" (25 mm)
Dimensions (HxWxD)	20.73 x 32.33 x 1.5" (526 x 821 x 38 mm)
Max Mounting Pattern (H,W)	15.75" (400 mm) / 31.5" (800 mm)
Color	Black
Weight Capacity	125 lbs (56.7 kg)

## WHAT YOU NEED TO KNOW

### EASY INSTALLATION

Easily install with one person by mounting the top rail and sliding on the assembly.

Adjustable depth and home positioning clicks when the TV is safely and securely against the wall. Post-installation height and leveling allows up to 1" (25 mm) of adjustment for even more flexibility.

A full line of accessories is available to customize a variety of installations.

### OTHER PRODUCT OPTIONS

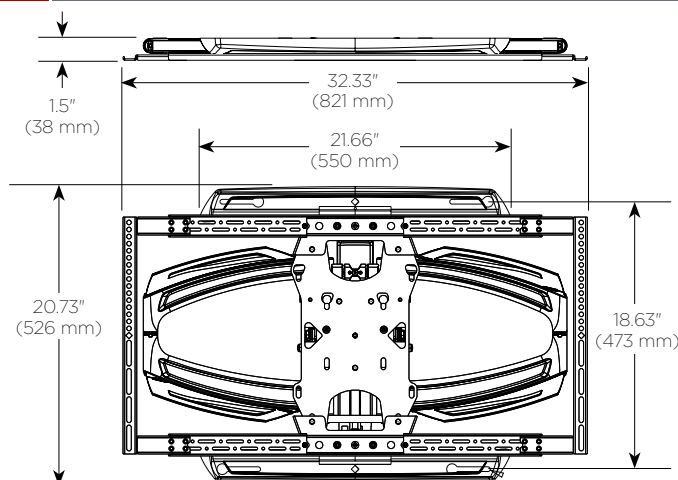


**PWR**  
37-55" Swing Arm Wall Mount



**TS525TUP**  
Thinstall Swing Arm and Power Conditioner Kit

## TECHNICAL DRAWINGS



## RECOMMENDED ACCESSORIES



**TA100** ■ Thinstall Series Swing Arm Component Shelves



**TA200/250** ■ Thinstall Series Swing Arm Camera Shelves



**TA300/350** ■ Thinstall Series Swing Arm Speaker Adapters

For a complete list of Thinstall accessories see page **88 - 89**.