

**Mounting hole pattern:**  
from 180mm to 800mm wide  
from 125mm to 500mm high

**Maximum weight carrying capacity:**  
91kg (200lbs)

## Ultra-slim wall mount | fixed

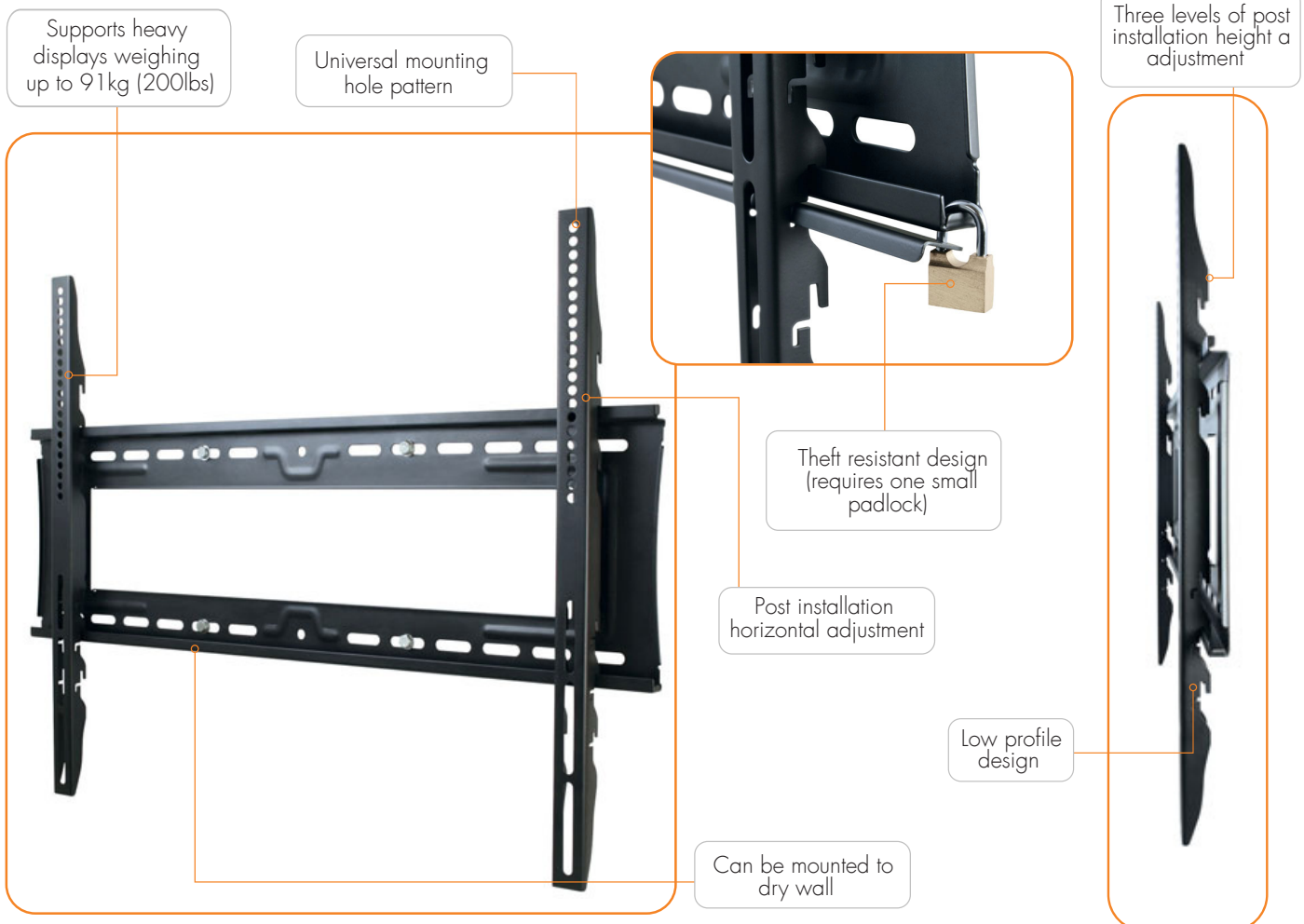
TH-3070-UF

The TH-3070-UF is the ideal wall mounting solution for large displays. The TH-3070-UF has been brilliantly engineered to support up to 91kg (200lbs). The mount supports a wide variety of screens thanks to its universal mounting hole pattern that fits to most VESA and non-VESA screens. Installation is quick and simple, with the option of a theft resistant security bar for added protection of your expensive display equipment. Even after installation, screen height can also be easily adjusted.



### Product key features:

- Can be mounted to either 2 studs or directly to dry wall
- Offers post installation horizontal and height adjustments
- Distance from wall: 39mm (1.53")
- Comes with all mounting hardware for masonry, timber stud and dry wall installation



## Product information, single unit

Product Code	Load capacity	Material	Color
TH-3070-UF	91kg (200lbs)	Steel	Black

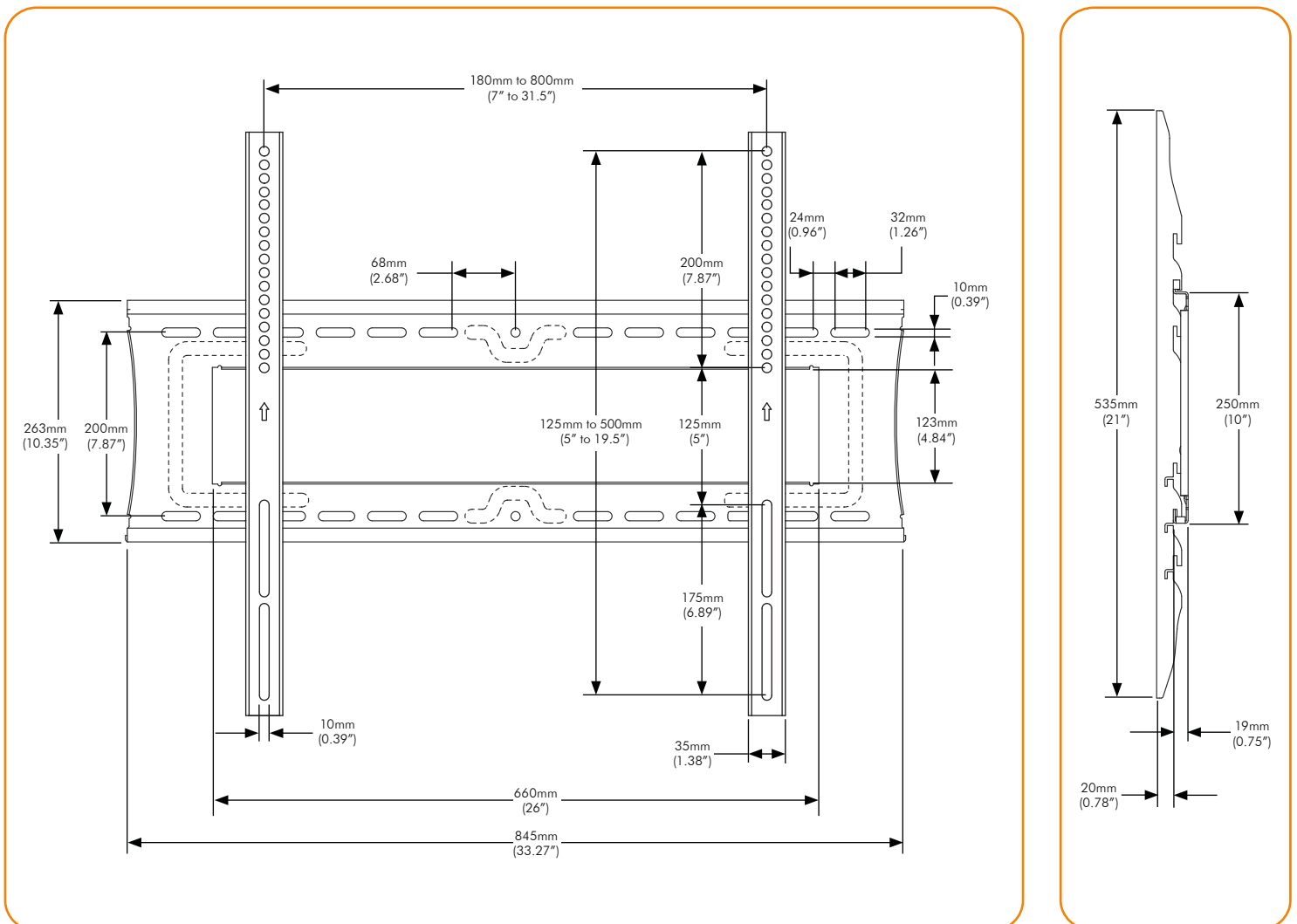
## Package information, single unit

Size	Ship weight	UPC code	Contents
88.5cm x 27.7cm x 4.8cm (37.75" x 10.75" x 2")	5.92kg (13.8lbs)	881493004771	All hardware required for installation supplied

## Package information, master pack

Size	Ship weight	UPC	Units per master pack
90cm x 29cm x 21cm (35" x 11.25" x 8.5")	24.6kg (55.4lbs)	881493004849	4

## Technical drawings



Atdec mounts are designed, developed and tested in Australia. While all efforts have been made to ensure the information in this brochure was correct as of the date of printing, we reserve the right to change specifications without notice. Please refer to the website for our full range along with the latest details on specifications, compatibility and dealer location. Atdec and Telehook are registered trademarks with all rights reserved. Copyright April 2013.